

**Spare parts manual**  
*Manuel de pièces détachées*

CE



AKS 32 FP

## **NOTES**

- When ordering parts, please specify the part number and its name.
- Please let us know the serial number of the machine you order.
- Parts names and numbers can be changed without notice in order to accommodate improvements.

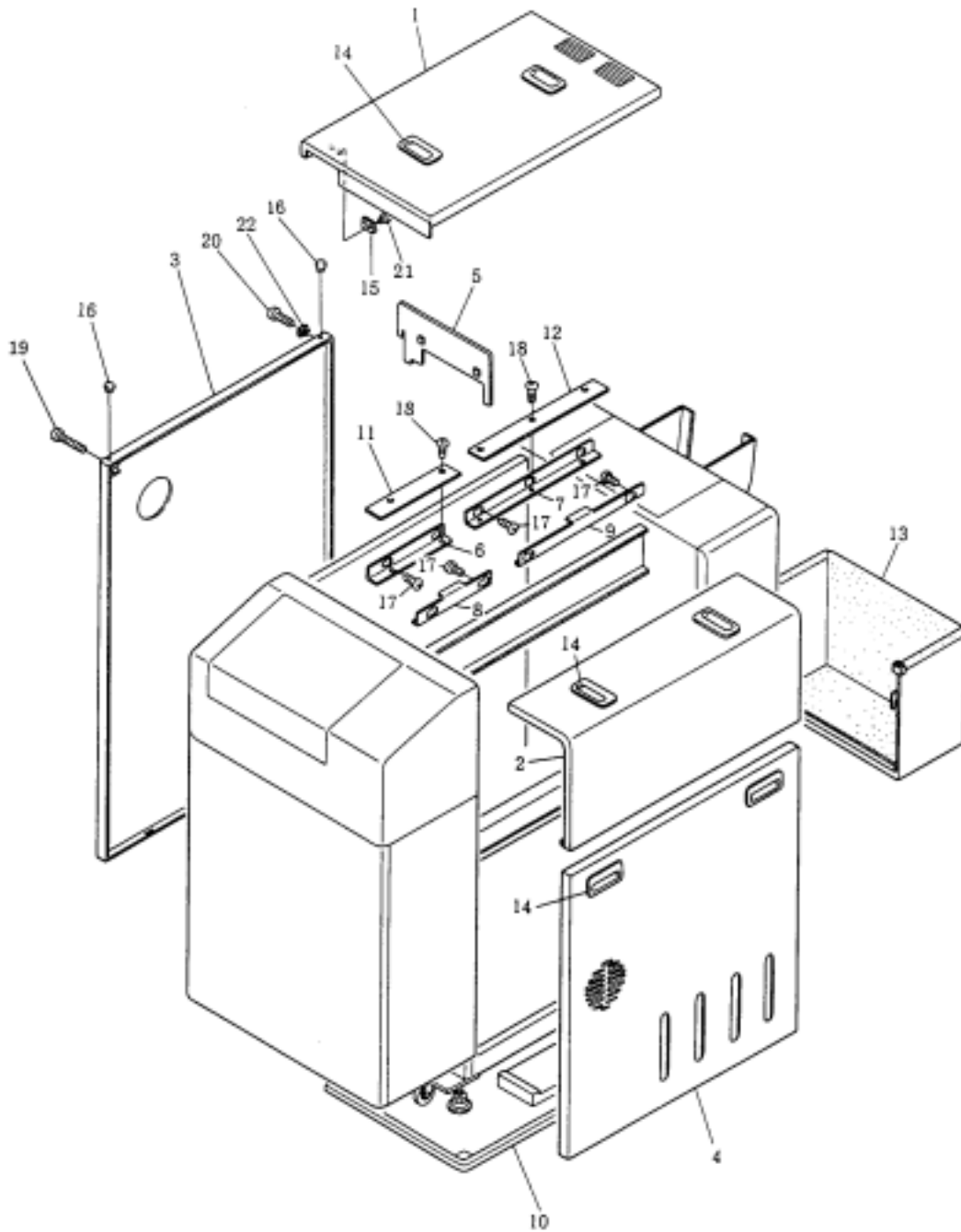
PARTS ASSEMBLIES INDEX  
AKS 32 FP

DESCRIPTION	PAGE
10. Overall View .....	5-6
20. Body .....	7-9
30. Control Box Sub-Assembly .....	10-11
40. Set Box.....	12-13
50. Operating Panel .....	14-15
60. Film Loading Section.....	16-18
70. Driving Section .....	19-21
80. Processing Tank.....	22-23
90. Effluent Section .....	24-25
100. Replenisher Section.....	26-27
110. Dev.Temp.Control Sub-Assembly .....	28-29
120. BL.Temp.Control Sub-Assembly.....	30-31
130. FIX-1.Temp.Control Assembly .....	32-33
140. FIX-2.Temp.Control Assembly .....	34-35
150. STB-1.Temp.Control Assembly.....	36-37
160. STB-2.Temp.Control Assembly.....	38-39
170. STB-3.Temp.Control Assembly.....	40-41
180. Processing Rack Unit.....	42-43
190. Processing Rack Roller Layout.....	44-45
200. Processing Rack Block Unit 1.....	46-47
210. <a href="#">Processing Rack Block Unit 2</a> .....	48-49
220. Processing Rack Block Unit 3.....	50-51
230. Processing Rack Block Unit 4.....	52-53
240. Processing Rack Block Unit 5.....	54-55
250. <a href="#">Processing Rack Block Unit 6</a> .....	56-57

DESCRIPTION	PAGE
260. Processing Rack Block Unit 7.....	58-59
270. Processing Rack Block Unit 8.....	60-61
280. Processing Rack Block Unit 9.....	62-63
290. Processing Rack Block Unit 10.....	64-65
300. Processing Rack STB-1 Unit.....	66-67
310. Processing Rack STB-2 Unit.....	68-69
320. Processing Rack STB-3 Unit.....	70-71
330. Crossover Guide Unit II .....	72-73
340. Crossover Guide Unit II .....	74-75
350. Crossover Guide Unit .....	76-77
360. Processing Rack Roller Assembly (A,B,C,D,E) .....	78-79
370. Processing Rack Roller Assembly (F,G,H,I,J).....	80-81
380. Processing Rack Roller Assembly (K,L,M,N,O).....	82-83
390. Processing Rack Roller Assembly (P,Q,R,S,T).....	84-85
400. Processing Rack Roller Assembly (V,W).....	86-87
410. Dryer Section .....	88-90
420. Heater Set .....	91-92
430. Dryer Rack Roller Layout.....	93-94
440. Dryer Rack.....	95-96
450. Dryer Rack Roller Assembly (A,C,D,E,F).....	97-98
460. Dryer Rack Roller Assembly (G,H,J).....	99-100
470. Accessories.....	101-102
480. Accessories (Label Set).....	103-104
490. Label.....	105
490. Label.....	106-108

# 10 Overall View

# Summary



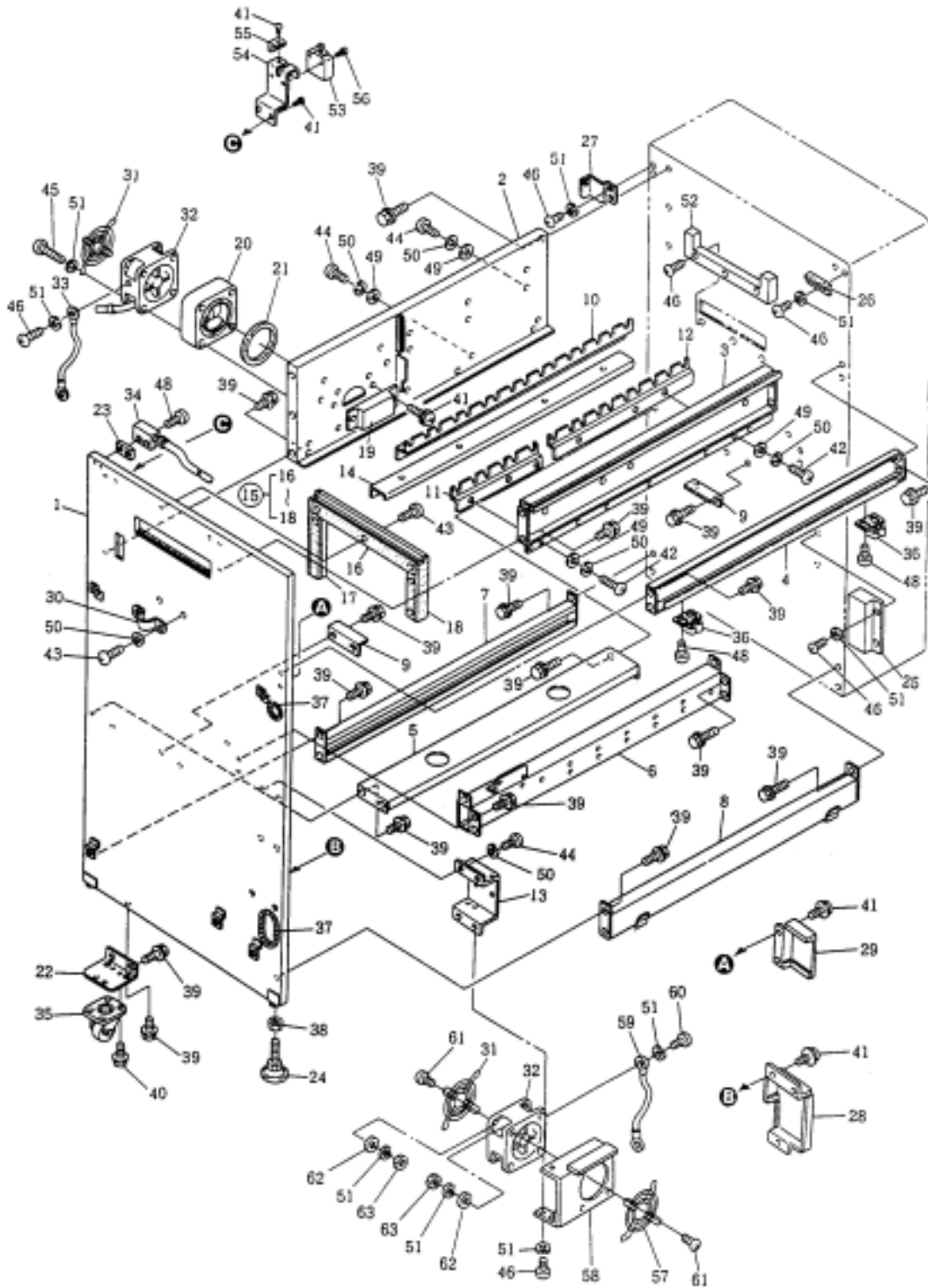
10 Overall View

060 999 010A

No.	Parts No.	Description	Kis Reference
1	32-C0330	Cover (Upper)	060 999 100B
2	32-C0332	Cover (Corner)	060 999 101A
3	32-C0334	Cover (Left)	060 999 102A
4	32-C0336	Cover (Right)	060 999 103A
5	33-A6899-2	Plate (Light Shield)	060 999 104A
6	33-A7464	Plate (Rack Retaining)	060 999 105A
7	33-A7465	Plate (Rack Retaining)	060 999 106A
8	33-A7466	Plate (Rack Retaining)	060 999 107A
9	33-A7467	Plate (Rack Retaining)	060 999 108A
10	23-A6715	Tray	060 999 109A
11	43-A7468	Cover (Front)	060 999 110A
12	43-A7469	Cover (Rear)	060 999 111A
13	32-A7415-1	Box (Film Receiving)	060 999 112A
14	ZTOTH2411	Cap (Lift) THA-241-1	060 999 113A
15	ZNOM803	Magnet M803	060 999 114A
16	ZTOTM961	Rubber TM-96-1	060 999 115A

# 20 Body

# Summary



## 20 Body

060 999 011A

No.	Parts No.	Description	Kis Reference
1	13-A6874-4	Frame (Front)	060 999 116A
2	23-A6882-1	Frame (Upper,Left)	060 999 117A
3	23-A6883-1	Frame (Upper,Right)	060 999 118A
4	33-A6984	Frame (Cover)	060 999 119A
5	33-A6876-1	Frame (Effluent Tank)	060 999 120A
6	33-A6877-3	Frame (Pump)	060 999 121A
7	33-A6982	Frame (Lower,Left)	060 999 122A
8	33-A6983	Frame (Lower,Right)	060 999 123A
9	43-A6881	Bracket (Tank)	060 999 124A
10	33-A6884	Holder (Rack,Left)	060 999 125A
11	33-A6985	Holder (Rack,Right,F)	060 999 126A
12	33-A6902	Holder (Rack,Right,R)	060 999 127A
13	43-A7591	Bracket (Pump)	060 999 128A
14	33-A3413-2	Frame (Chain)	060 999 129A
15	32-A6871	Plate Assembly (Light Shield)	060 999 130A
16	33-A6994	Plate (Light Shield)	060 999 131A
17	43-A6872-1	Plate (Light Shield)	060 999 132A
18	43-A6873-1	Plate (Light Shield)	060 999 133A
19	43-A6888-1	Cover	060 999 134A
20	23-A6886-1	Duct (Fan)	060 999 135A
21	43-A3432	Sponge Ring	060 999 136A
22	43-A6995	Bracket (Caster)	060 999 137A
23	43-A6891	Spacer	060 999 138A
24	43-25878-2	Foot	060 999 139A
25	33-A4445-1	Cover (Cord)	060 999 140A
26	43-A3355	Holder	060 999 141A
27	43-A6696	Bracket	060 999 142A
29	33-A6986	Cover H	060 999 144A
28	43-A6889-1	Cover L	060 999 143A
30	43-Z5020	Saddle	060 999 145A
31	ZSIFG90	Finger Guard FG-90	060 999 146A
32	ZJSKA55B51907	Fan KA55B51-907	060 999 094A
33	43-A8881	Wire (Frame Ground)	060 999 148A
34	ZNORS803NO	Switch RS-803NO	060 999 149A
35	ZTONO102N	Caster No.102N	060 999 150A
36	ZTAC10511	Roller Catch C-1051-1	060 999 151A
37	ZKIKG016L	Bushing KG-016L	060 999 152A
52	33-A5147-2	Guide	060 999 153A
53	ZORD2D1001	Switch D2D-1001	
54	43-A7621-1	Switch Holder	060 999 154A

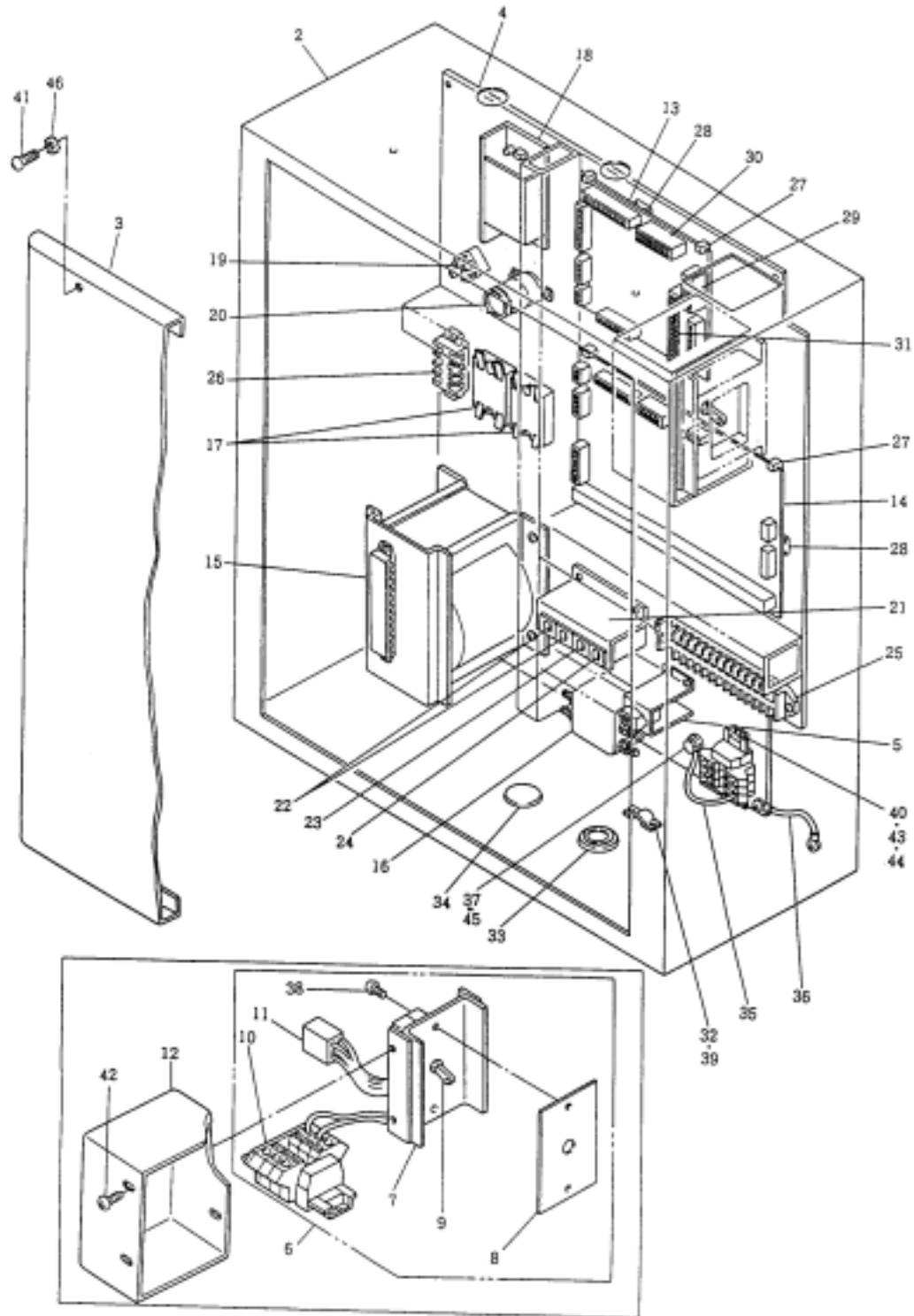


## 20 Body

No.	Parts No.	Description	KIS Reference
55	43-A7622	Cover	060 999 156A
56	ZSIFG90P	Finger Guard FG-90P	
57	43-A7590	Bracket (Fan)	
58	43-A8882	Wire (Frame Ground)	

# 30 Control Box Sub-Assembly

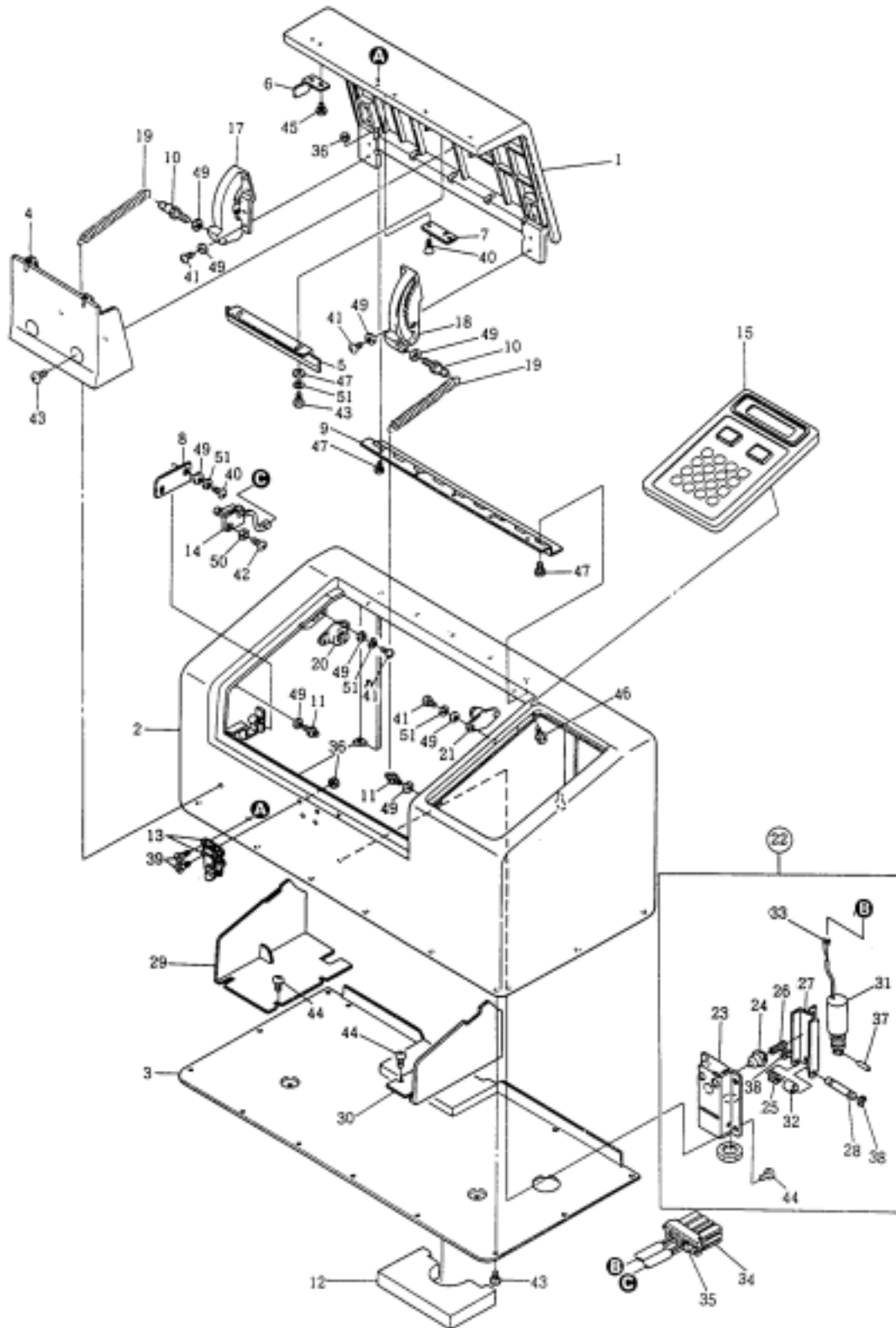
# Summary



No.	Parts No.	Description	KIS Reference
A1	22-E1905	Control Box (English)	060 999 012A
2	13-E1909	Box (Power Source)	060 999 158A
3	23-E1908	Door (Box)	060 999 159A
4	23-E1513-5	Chassis	060 999 160A
5	43-E1516	Bracket (Connector)	060 999 161A
6	32-E1906	Power Source Assembly	060 999 162A
7	33-E1907	Bracket (Breaker)	060 999 163A
8	43-E0026-1	Panel (Breaker)	060 999 164A
9	ZFDCP32VM/20DN	Circuit Protector (Main Breaker) CP32VM/20DN	060 999 165A
10	42-E1617-2	Terminal Set (TB1)	060 999 166A
11	42-E1936	Connector Set	060 999 167A
12	43-E1209-3	Cover (Breaker)	060 999 168A
13	32-B0046	CPU Board	060 999 169A
14	32-B0044	SSR Board	060 999 170A
15	ZCDS9TF532B	Transformer S-9TF532B	060 999 171A
16	ZNEMAS120633	Noise Filter MAS-1206-33	060 999 172A
17	ZNKD2W220DD18	Solid State Relay D2W220DD-18	060 999 173A
18	ZECLDA15F5SN	Regulator LDA15F-5-SN	060 999 174A
19	ZSDS25VB20	Silicon Stack S-25VB-20	060 999 175A
20	ZEL35VL10000MF	Condenser 35VL 10000 $\mu$ F	060 999 176A
21	42-E0006-1	Bracket (Circuit Protector)	060 999 177A
22	ZMKW28XQ1A10	Circuit Protector W28xQ1A10	060 999 178A
23	ZMKW28XQ1A3	Circuit Protector W28xQ1A3	060 999 179A
24	ZMKW28XQ1A4	Circuit Protector W28xQ1A4	060 999 180A
25	42-E1926	Terminal KTM-16 (TB2)	060 999 181A
26	42-E1927	Terminal KTM-4 (TB3)	060 999 182A
27	ZKIKGES10	Spacer KGES-10	060 999 183A
28	ZSSPS6N	Spacer PS-6N	060 999 184A
29	ZWG231308037000	Terminal 231-308/037-000	060 999 185A
30	ZWG231310037000	Terminal 231-310/037-000	060 999 186A
31	ZWG231316037000	Terminal 231-316/037-000	060 999 187A
32	43-E1122	Clamp	060 999 188A
33	ZTAC30SG30A	Grommet C-30-SG-30A	060 999 189A
34	ZHEDP1187	Plug DP-1187	060 999 190A
35	43-E1959	Wire (Frame Ground)	060 999 191A
36	43-E1958	Wire (Frame Ground)	060 999 192A

# 40 Set Box

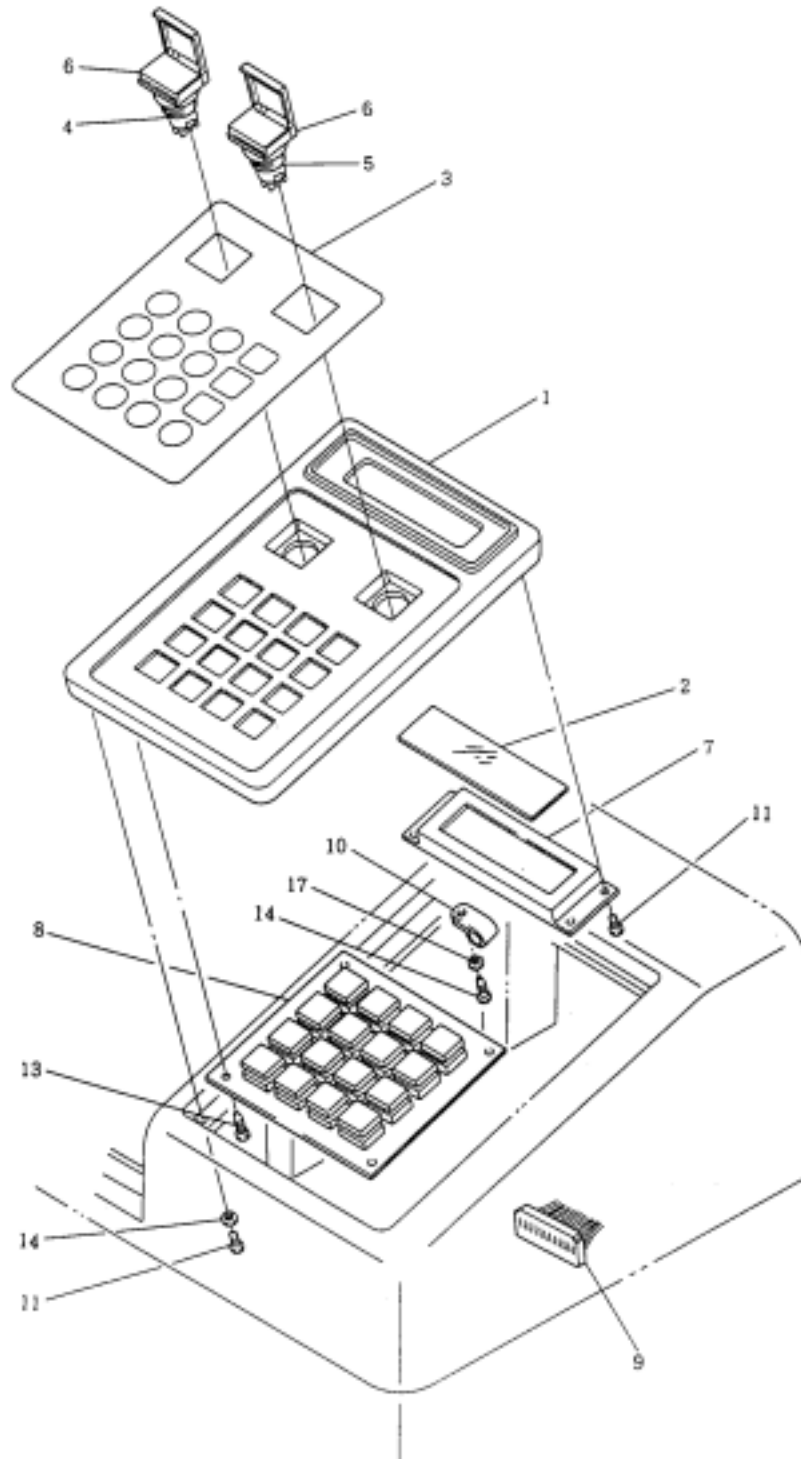
# Summary



## 40 Set Box

060 999 013A

No.	Parts No.	Description	KIS Reference
1	32-C0327	Lid (Set Box)	060 999 193A
2	32-C0324	Cover (Set Box)	060 999 194A
3	32-A6779	Cover (Bottom)	060 999 195A
4	23-A6832	Plate	060 999 196A
5	33-A6778-1	Push Plate	060 999 197A
6	43-A6759-1	Switch Lever	060 999 198A
7	43-A6768-1	Guide Plate	060 999 199A
8	43-A6755-1	Switch Base	060 999 200A
9	23-A6756	Continuous Hinge	060 999 201A
10	43-A4380-2	Spring Post	060 999 202A
11	43-A6862-1	Spring Post	060 999 203A
12	43-A6849	Sponge (Light Shield)	060 999 204A
13	ZTAC20	Clamp C-20	060 999 205A
14	32-A4347	Switch Unit AH73563604	060 999 206A
15	22-C0342	Operating Panel	060 999 014A
17	33-A3699-3	Damper Guide (Left)	060 999 208A
18	33-A3698-3	Damper Guide (Right)	060 999 209A
19	43-A3733	Spring	060 999 210A
20	43-A3725	Rotary Damper (Left)	060 999 211A
21	43-A3726	Rotary Damper (Right)	060 999 212A
22	32-A6775-2	Auto Lock Unit	060 999 213A
23	23-A6769	Lock Base	060 999 214A
24	43-A6770-1	Release Button	060 999 215A
25	43-A6765-1	Spring	060 999 216A
26	43-A6766-1	Release Spring	060 999 217A
27	43-A6762-1	Lock Lever	060 999 218A
28	43-A6767-2	Lock Shaft	060 999 219A
29	23-A6845	Cover (Solenoid, Left)	060 999 220A
30	23-A6846	Cover (Solenoid, Right)	060 999 221A
31	ZSDS1024	Solenoid S-1024	060 999 222A
32	ZTS138231240250	Spacer 1382312-40250	060 999 223A
33	ZAM1752185	Rec.Contact 175218-5	060 999 224A
34	ZAM11782885	Rec.Housing 1-178288-5	060 999 225A
35	ZAM17558551	Keying Socket 1755855-1	060 999 226A
37	Z71031207	Spring Pin Ø3x12	060 999 227A
38	Z67030004	E-Ring E-3	060 999 228A



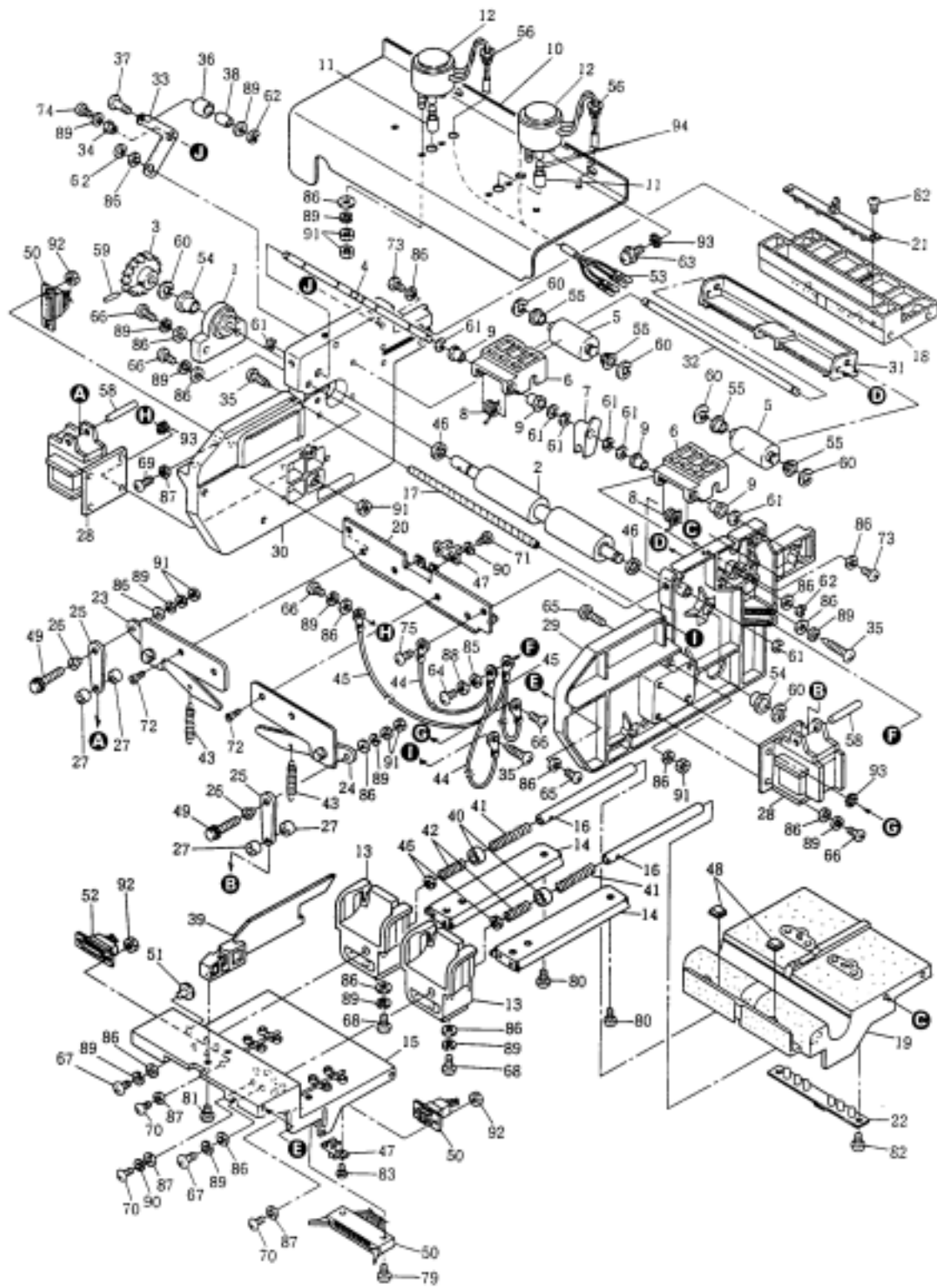
## 50 Operating Panel

060 999 014A

No.	Parts No.	Description	KIS Reference
A	22-C0342	Operating Panel	060 999 014A
1	23-C0343	Panel	060 999 230A
2	43-A6866-2	LCD Cover	060 999 231A
3	33-A6867	Panel Sheet	060 999 232A
4	ZISAL6HM12R	Push Button Switch (Red) AL6H-M12 R	060 999 233A
5	ZISAL6HA12A	Push Button Switch (Orange) AL6H-A12 A	060 999 234A
6	ZISALKH6S	Switch Guard AL-KH6S	060 999 235A
7	32-B0048	LCD Unit	060 999 236A
8	32-B0049	KEY Board	060 999 237A
9	32-E1544	Connector Set (CPU-J3)	060 999 238A
10	ZKINK7N	Clamp NK-7N	060 999 239A

# 60 Film Loading Section

# Summary





## 60 Film Loading Section

060 999 015A

No.	Parts No.	Description	KIS Reference
A	12-A7549	Film Loading Unit	060 999 015A
1	42-A4360	Bushing Unit	060 999 241A
2	33-A3702-2	Roller (Drive)	060 999 242A
3	43-55034	Gear 17T	060 999 243A
4	43-A6786-1	Shaft	060 999 244A
5	44-A6784-2	Roller (Press)	060 999 245A
6	33-A6859	Holder (Roller)	060 999 246A
7	43-55332-1	Lever	060 999 247A
8	43-A6787-2	Spring	060 999 248A
9	43-45218-1	Bushing	060 999 249A
10	23-A6791-2	Cover	060 999 250A
11	43-A6792-3	Cap	060 999 251A
12	43-55498-1	Solenoid LWS-89056	060 999 252A
13	23-A0255	Holder (Patrone)	060 999 253A
14	33-55132-1	Rail	060 999 254A
15	13-A6838-1	Bracket (Sensor)	060 999 255A
16	43-A6806	Shaft	060 999 256A
17	42-45760-1	Roller (Guide)	060 999 257A
18	32-A6810	Base (Sensor, Upper)	060 999 258A
19	32-A6840	Base (Sensor, Lower)	060 999 259A
20	32-A6808	Bracket (Cutter)	060 999 260A
21	42-B0025	Film Sensor PCB	060 999 261A
22	42-B0026	Film Sensor PCB	060 999 262A
23	32-55121-2	Cutter Assembly (Left)	060 999 263A
24	32-55122-2	Cutter Assembly (Right)	060 999 264A
25	43-55111-2	Arm (Solenoid)	060 999 265A
26	43-08891	Collar (Flange)	060 999 266A
27	43-08894	Collar	060 999 267A
28	ZMDAS90833U	Solenoid AS90833U	060 999 268A
29	32-A6830	Plate (Right)	060 999 269A
30	13-A6833	Plate (Left)	060 999 270A
31	32-A6795	Shutter	060 999 271A
32	43-A6798-1	Shaft (Shutter)	060 999 272A
33	43-A6797-1	Lever	060 999 273A
34	43-45728-1	Collar (Metal)	060 999 274A
35	43-55134	Pin	060 999 275A
36	43-A6802	Release Roller	060 999 276A
37	43-A6772	Shaft (Release Roller)	060 999 277A
38	ZTS138231240105	Spacer 4x10.5	060 999 278A
39	23-A6839	Guide (Center)	060 999 279A

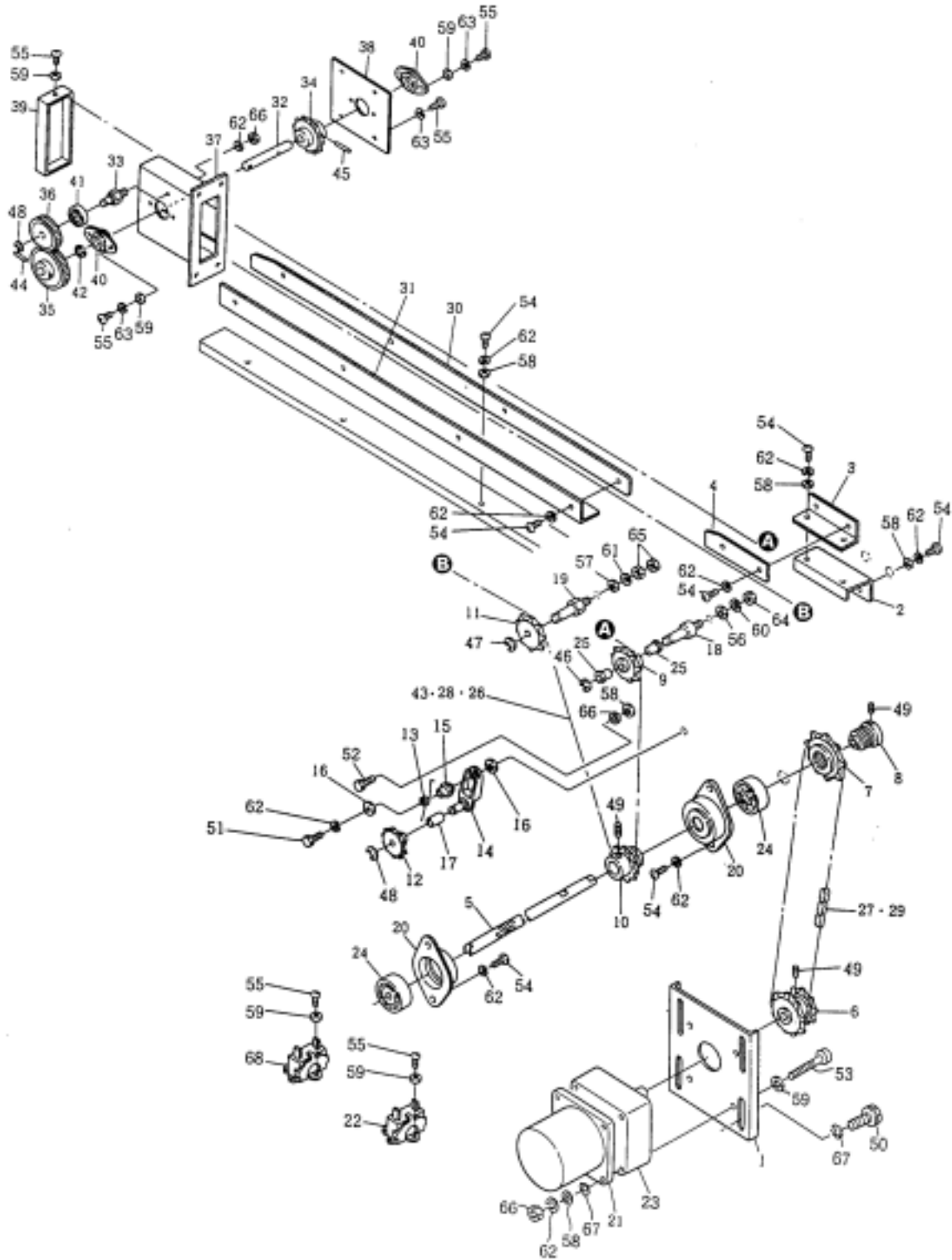
## 60 Film Loading Section

060 999 015A

No.	Parts No.	Description	KIS Reference
40	43-A2539	Cap (Spring)	060 999 280A
41	43-A2537	Spring	060 999 281A
42	43-A4378	Spring	060 999 282A
43	43-55129	Spring	060 999 283A
44	42-A7550	Wire (Frame Ground)	060 999 284A
45	42-A7551	Wire (Frame Ground)	060 999 285A
47	ZOREESH3	Sensor EE-SH3	060 999 286A
48	ZSMSJ5007	Rubber SJ5007	060 999 287A
50	32-E1533-1	Connector Set (CN2)	060 999 288A
51	ZTOK18	Rubber K18	060 999 289A
52	ZAM11788025	Tab Housing 1-178802-5	060 999 290A
53	ZAM1752895	Tab Contact 175289-5	060 999 291A
54	ZOI80F0810	Bushing (Flange) 80F-0810	060 999 292A
55	ZOI80F0805	Bushing (Flange) 80F-0805	060 999 293A
56	ZHESB3753	Bushing SB-375-3	060 999 840A
58	Z71043207	Spring Pin $\varnothing$ 4x32	060 999 295A
59	Z71021607	Spring Pin $\varnothing$ 2x16	060 999 296A
60	Z67060004	E-Ring E-6	060 999 882A
61	Z67050004	E-Ring E-5	060 999 919A
62	Z67030004	E-Ring E-3	060 999 228A
94	43-A3709	Spacer	060 999 300A

# 70 Driving Section

# Summary



## 70 Driving Section

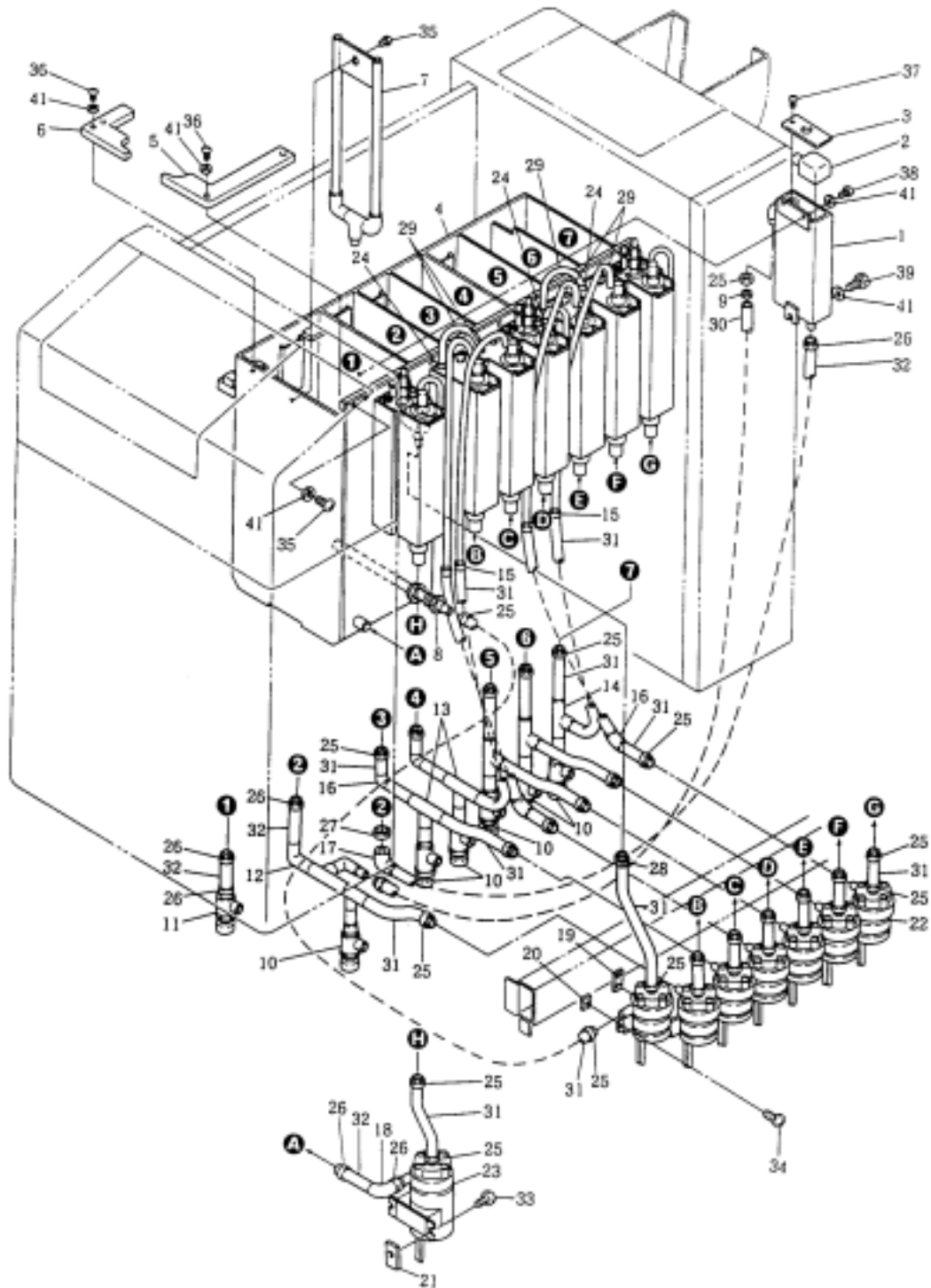
060 999 016A

No.	Parts No.	Description	KIS Reference
1	43-C0318	Plate (Motor)	060 999 301A
2	43-45856	Frame (Chain)	060 999 302A
3	43-45857	Angle	060 999 303A
4	43-45655	Rail (Chain)	060 999 304A
5	32-A7441	Shaft (Linkage)	060 999 305A
6	43-45657-3	Sprocket (Motor)	060 999 306A
7	43-Z0701	Wheel (Free) 18T	060 999 307A
8	43-45658-1	Core (Wheel)	060 999 308A
9	42-A0043	Sprocket 12T	060 999 309A
10	43-A0042	Sprocket 15T	060 999 310A
11	43-45652	Sprocket 10T	060 999 311A
12	43-A7040	Sprocket 10T	060 999 312A
13	43-53594-1	Spring	060 999 313A
14	33-A7038	Arm (Tension)	060 999 314A
15	43-A7039-1	Holder (Spring)	060 999 315A
17	ZOI80B0610	Bushing 80B-0610	060 999 316A
18	43-A0045	Shaft (Ø10)	060 999 317A
19	43-45662-1	Shaft (B)	060 999 318A
20	43-25622	Housing (Bearing)	060 999 319A
21	ZOM4SJ10GAAUL	Motor 4SJ10GA-AUL	060 999 320A
22	ZOMCH18BUL	Condenser CH18BUL	060 999 321A
23	ZOM4GA300LD2	Gear Head 4GA300L-D2	060 999 322A
24	ZZBE6002ZZ	Bearing 6002ZZ	060 999 323A
25	ZOI80F1006	Bushing 80F-1006	060 999 324A
26	ZOCRC350229S	Chain (Roller) OCM35SUS 229L	060 999 325A
27	ZOCRC420061C	Chain (Roller) OCM42 61L	060 999 326A
28	ZOCJL35S	Link (Joint) OCM35SUS	060 999 327A
29	ZOCJL42C	Link (Joint) OCM42	060 999 328A
30	33-45960	Rail (Chain)	060 999 329A
31	33-45961	Angle	060 999 330A
32	43-45709-2	Shaft (Sprocket)	060 999 331A
33	43-45710-2	Shaft (Gear)	060 999 332A
34	43-55836-1	Sprocket 12T	060 999 333A
35	43-45707-1	Gear 20T	060 999 334A
36	43-55024	Gear 15T	060 999 335A
37	33-A6851	Bracket	060 999 336A
38	43-A6852-1	Plate	060 999 337A
39	43-A6853-1	Cover (Light Shield)	060 999 338A
40	ZOI80FL08	Bearing 80FL-08	060 999 339A

## 70 Driving Section

060 999 016A

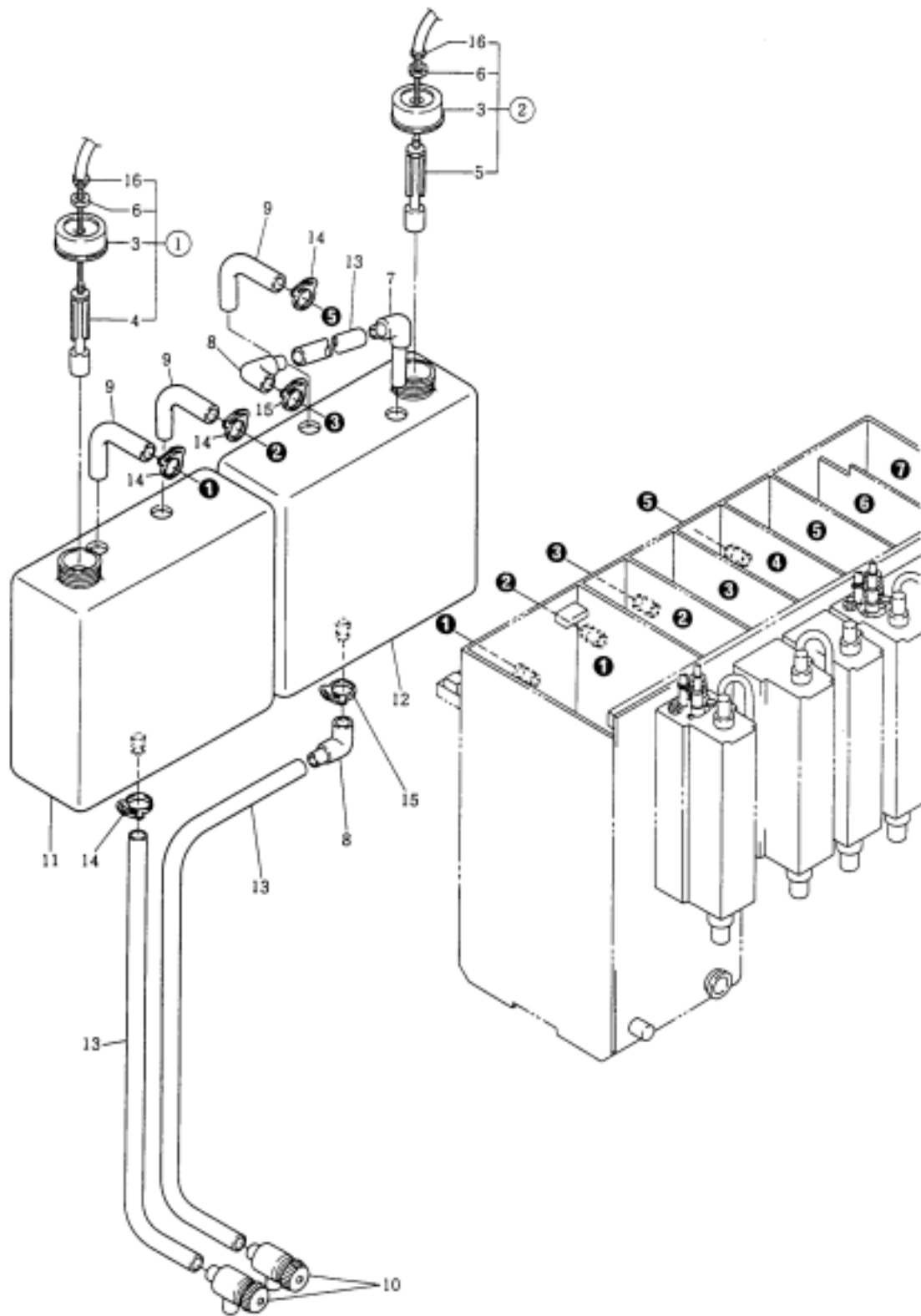
No.	Parts No.	Description	KIS Reference
41	ZZBE626Z	Bearing 626Z	060 999 340A
43	ZOCOL35S	Link (Offset) OCM35SUS	060 999 341A
44	Z71021807	Spring Pin Ø2x18	060 999 342A
45	Z71031807	Spring Pin Ø3x18	060 999 343A
46	Z67080004	E-Ring E-8	060 999 344A
47	Z67060004	E-Ring E-6	060 999 882A
48	Z67050004	E-Ring E-5	060 999 919A
68	ZOMCH12BUL	Condenser CH12BUL	



## 80 Processing Tank

060 999 017A

No.	Parts No.	Description	KIS Reference
1	33-A4191-1	Tank (Aeration)	060 999 347A
2	43-A0191	Nozzle	060 999 348A
3	43-A0129-1	Lid (Tank)	060 999 349A
4	32-A6705	Tank (Processing)	060 999 350A
5	43-A6729-1	Plate R (Antioxidant)	060 999 351A
6	43-A6730-1	Plate L (Antioxidant)	060 999 352A
7	33-A4409-1	Pipe (Developer Distribution)	060 999 353A
8	33-A6718-1	Pipe (Distribution)	060 999 354A
9	43-55371	Plate (Throttle)	060 999 355A
10	32-76015	Valve (L-Shape)	060 999 356A
11	43-65503	Valve (L-Shape)	060 999 387A
12	43-A6725	Joint	060 999 358A
13	43-A6726-1	Joint	060 999 359A
14	43-A6727-1	Joint	060 999 360A
15	43-45578-1	Joint	060 999 361A
16	43-65666	Elbow	060 999 362A
17	43-A0195	Joint	060 999 363A
18	43-A6747	Elbow	060 999 364A
19	43-45987	Rubber (Pump) A	060 999 365A
20	43-45988	Rubber (Pump) B	060 999 366A
21	43-A0138	Rubber (Pump)	060 999 367A
22	ZIWMD10NL02	Pump (Magnet, Circulation) MD-10-NL02	060 999 368A
23	ZIWMD15RN14	Pump (Magnet, Circulation) MD-15R-N14	060 999 369A
24	ZTYSNP12HSO	Clamp SNP-12-HSO	060 999 370A
25	ZTYSNP14HSO	Clamp SNP-14-HSO	060 999 371A
26	ZTYSNP19HSO	Clamp SNP-19-HSO	060 999 391A
27	ZTYSNP22HSO	Clamp SNP-22-HSO	060 999 373A
28	ZMRNM6	Clamp NM-6	060 999 374A
29	ZZVH1015CL	Vinyl Hose (Transparency) Ø10xØ15	060 999 375A
30	ZZVH1216CL	Vinyl Hose (Transparency) Ø12xØ16	060 999 376A
31	ZZVH1319BL	Vinyl Hose (Black) Ø13xØ19	060 999 377A
32	ZZVH1622BL	Vinyl Hose (Black) Ø16xØ22	060 999 378A





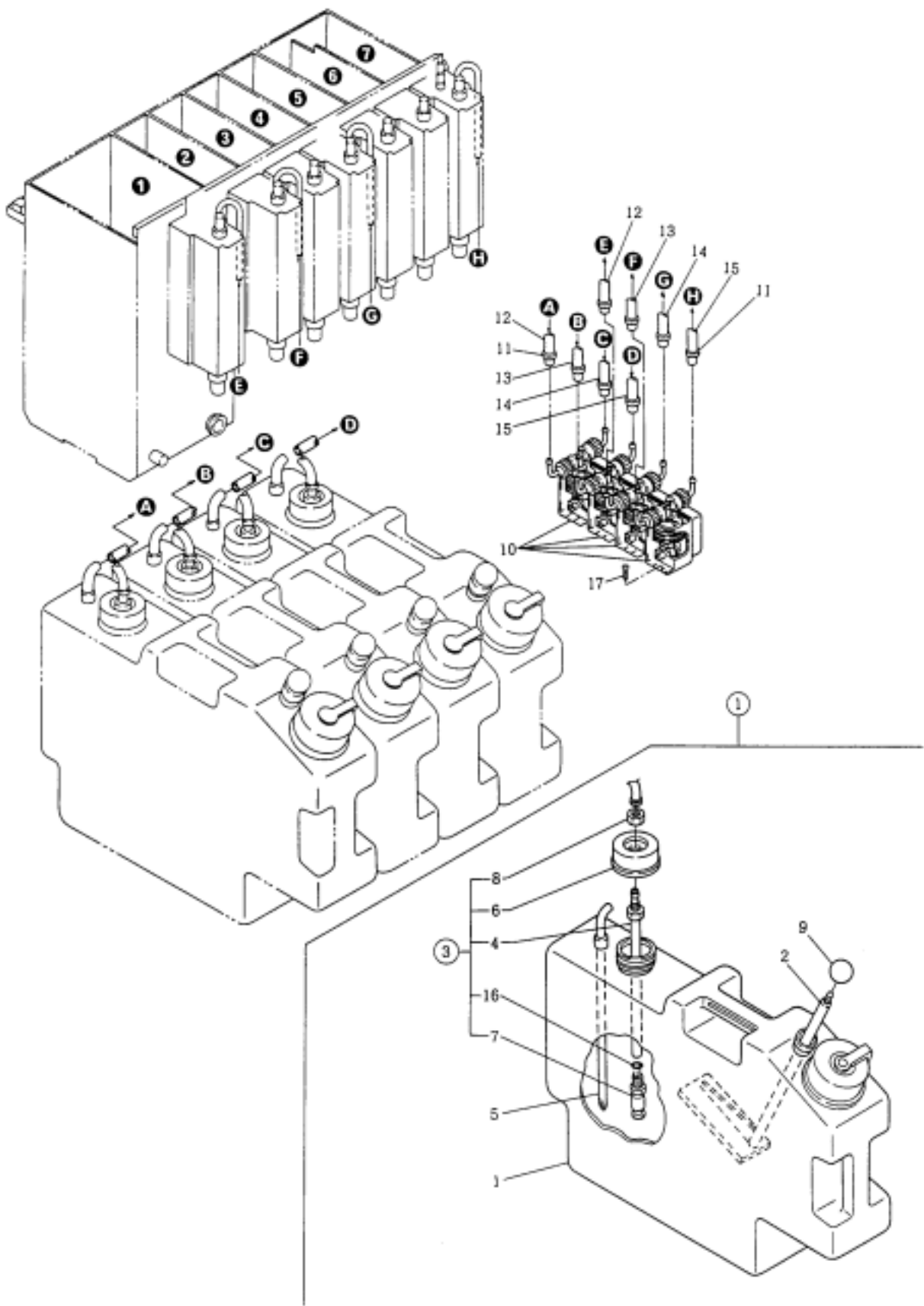
## 90 Effluent Section

060 999 018A

No.	Parts No.	Description	KIS Reference
A1	42-A6707-1	Sensor Cap Set 1	060 999 379A
A2	42-A6720	Sensor Cap Set 2	060 999 380A
3	43-18640	Cap	060 999 400A
4	33-45468-A2	Sensor 33-45468-A2	060 999 382A
5	33-45468-A3	Sensor 33-45468-A3	060 999 383A
7	43-A6996	Joint (Elbow)	060 999 384A
8	43-A0195	Joint (Elbow)	060 999 385A
9	43-A6716-1	Hose (Drain)	060 999 386A
10	43-65503	Valve (L-Shape)	060 999 387A
11	33-A6709	Effluent Tank A	060 999 388A
12	33-A6710	Effluent Tank B	060 999 389A
13	ZZVH1622BL	Vinyl Hose (Black) Ø16xØ22	060 999 378A
14	ZTYSNP19HSO	Clump SNP-19-HSO	060 999 391A
15	ZTYSNP22HSO	Clump SNP-22-HSO	060 999 373A
16	ZTYT18R/HS	Tie T18R/HS	060 999 393A

# 100 Replenisher Section

# Summary

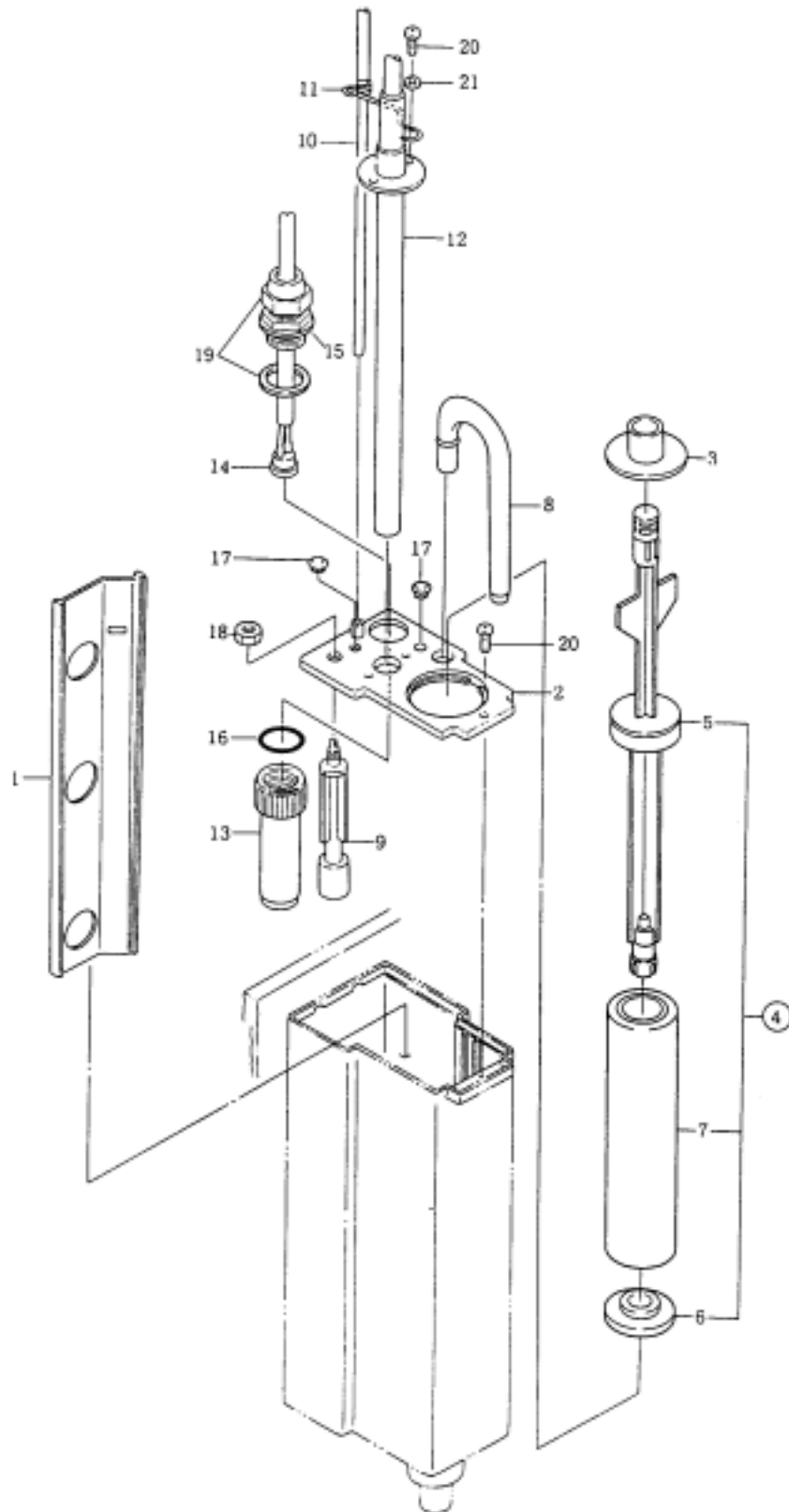


## 100 Replenisher Section

060 999 019A

No.	Parts No.	Description	KIS Reference
A	22-A0149-1	Replenisher Tank Unit	060 999 019A
1	23-45597-3	Tank (Replenisher)	060 999 395A
2	33-65321	Lever (Mixing)	060 999 396A
3	32-A0197-1	Sensor Set	060 999 397A
4	43-45592-3	Joint (Sensor)	060 999 398A
5	43-45591	Pipe	060 999 399A
6	43-18640	Cap (Sensor)	060 999 400A
7	33-45997-B2	Sensor 33-45997-B2	060 999 401A
9	ZIMPB3210BL	Knob PB32x10	060 999 402A
10	ZIWKBR3ZAU1S56	Pump (Replenisher) KBR-3ZAU1-S56	060 999 403A
11	ZTYSNP7HSO	Clump SNP-7-HSO	060 999 404A
12	ZZVH0913BU	Vinyl Hose (Blue) Ø9xØ13	060 999 405A
13	ZZVH0913RE	Vinyl Hose (Red) Ø9xØ13	060 999 406A
14	ZZVH0913CL	Vinyl Hose (Transparency) Ø9xØ13	060 999 407A
15	ZZVH0913YE	Vinyl Hose (Yellow) Ø9xØ13	060 999 408A
16	ZZORP0080E	O-Ring P-8	060 999 409A

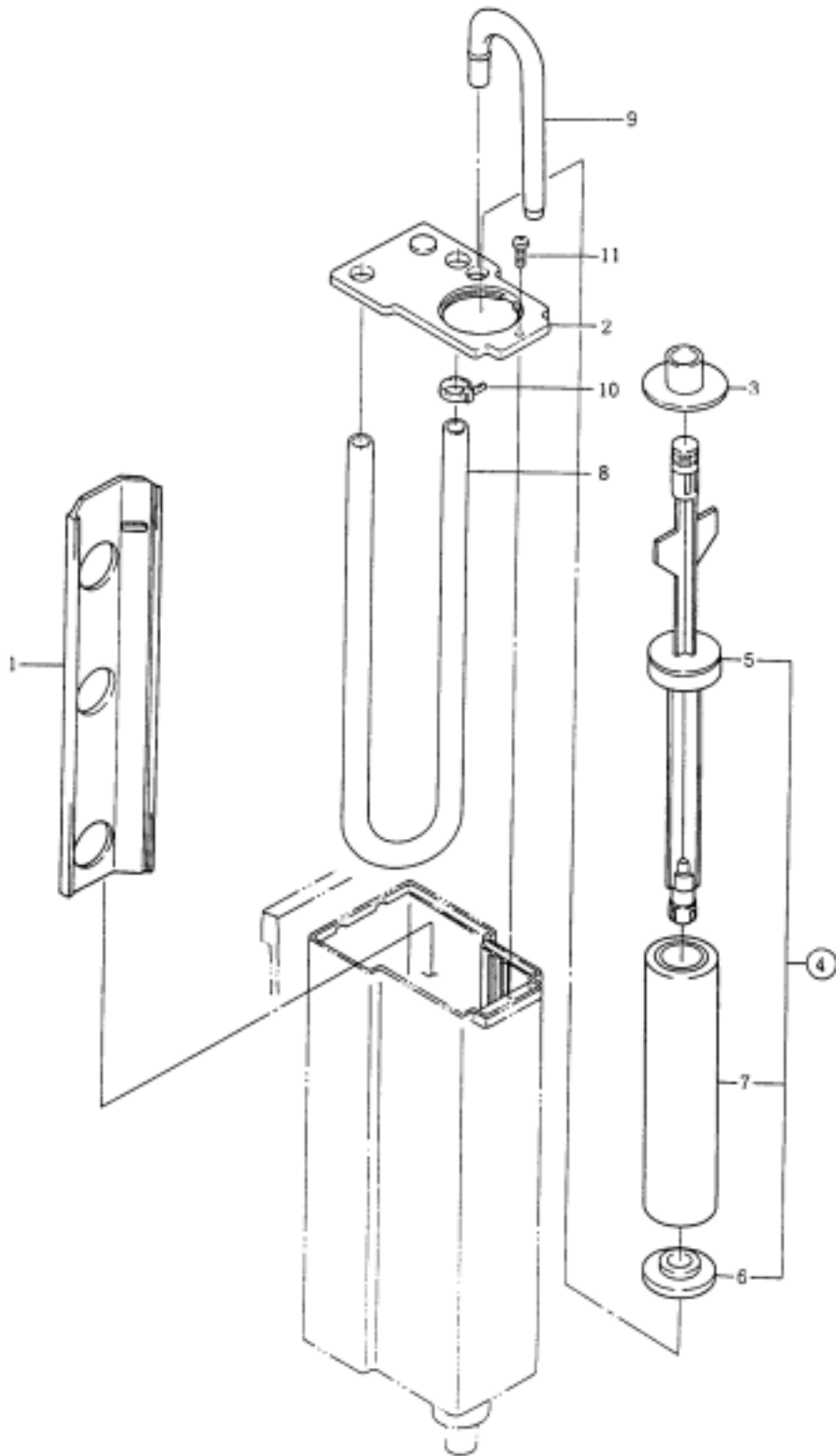
# 110 Dev.Temp.Control Sub-Assembly Summary



## 110 Dev.Temp.Control Assembly

060 999 020A

No.	Parts No.	Description	KIS Reference
1	43-A2343	Plate (Temperature Tank)	060 999 410A
2	33-55996-1	Lid (Tank)	060 999 451A
3	43-55273	Lid (Filter)	060 999 452A
4	32-A6741	Chemical Filter Set	060 999 453A
5	33-A6742	Cap A (Filter)	060 999 454A
6	43-A4044	Cap B (Filter)	060 999 415A
7	43-35063-1	Filter 140L	060 999 456A
8	43-55797-3	Pipe (Replenishing)	060 999 417A
9	33-45468-B2	Float Switch	060 999 418A
10	ZIDEP5F502G151022	Sensor EP5F502G1-51022	060 999 419A
11	43-55998	Earth Clip	060 999 420A
12	ZJDCH140350S	Heater 350W FC-014C	060 999 421A
13	43-25457-2	Case	060 999 422A
14	ZEW2455R43137	Thermostat 2455R-43-137	060 999 423A
15	43-A6183	Socket	060 999 424A
16	ZZORP0210C	O-Ring P-21	060 999 425A
17	ZHEDP312	Plug DP-312	060 999 426A
19	43-Z5031	Cord Lock (with Packing)	060 999 427A

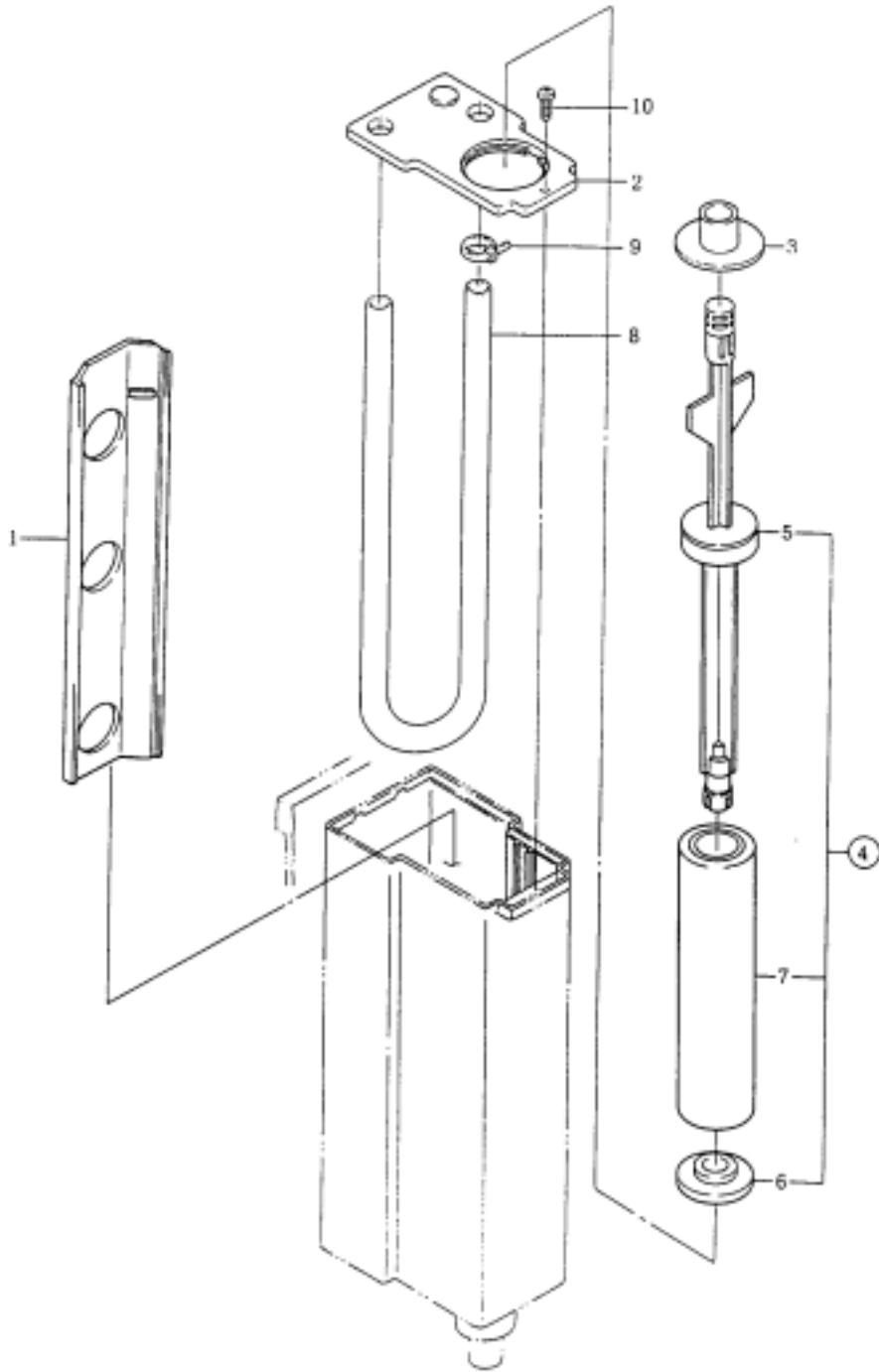


## 120 BL.Temp.Control Assembly

060 999 021A

No.	Parts No.	Description	KIS Reference
1	43-A2334	Plate (Temperature Tank)	060 999 429A
2	43-45533-1	Lid (Tank)	060 999 430A
3	43-55273	Lid (Filter)	060 999 452A
4	32-A6741	Chemical Filter Set	060 999 453A
5	33-A6742	Cap A (Filter)	060 999 454A
6	43-A4044	Cap B (Filter)	060 999 415A
7	43-35063-1	Filter 140L	060 999 456A
8	33-45476-2	Pipe	060 999 436A
9	43-55797-3	Pipe (Replenishing)	060 999 417A
10	ZTYT30R/HS	Tie T30R/HS	060 999 448A

# 130 FIX-1.Temp.Control Sub-Assembly Summary



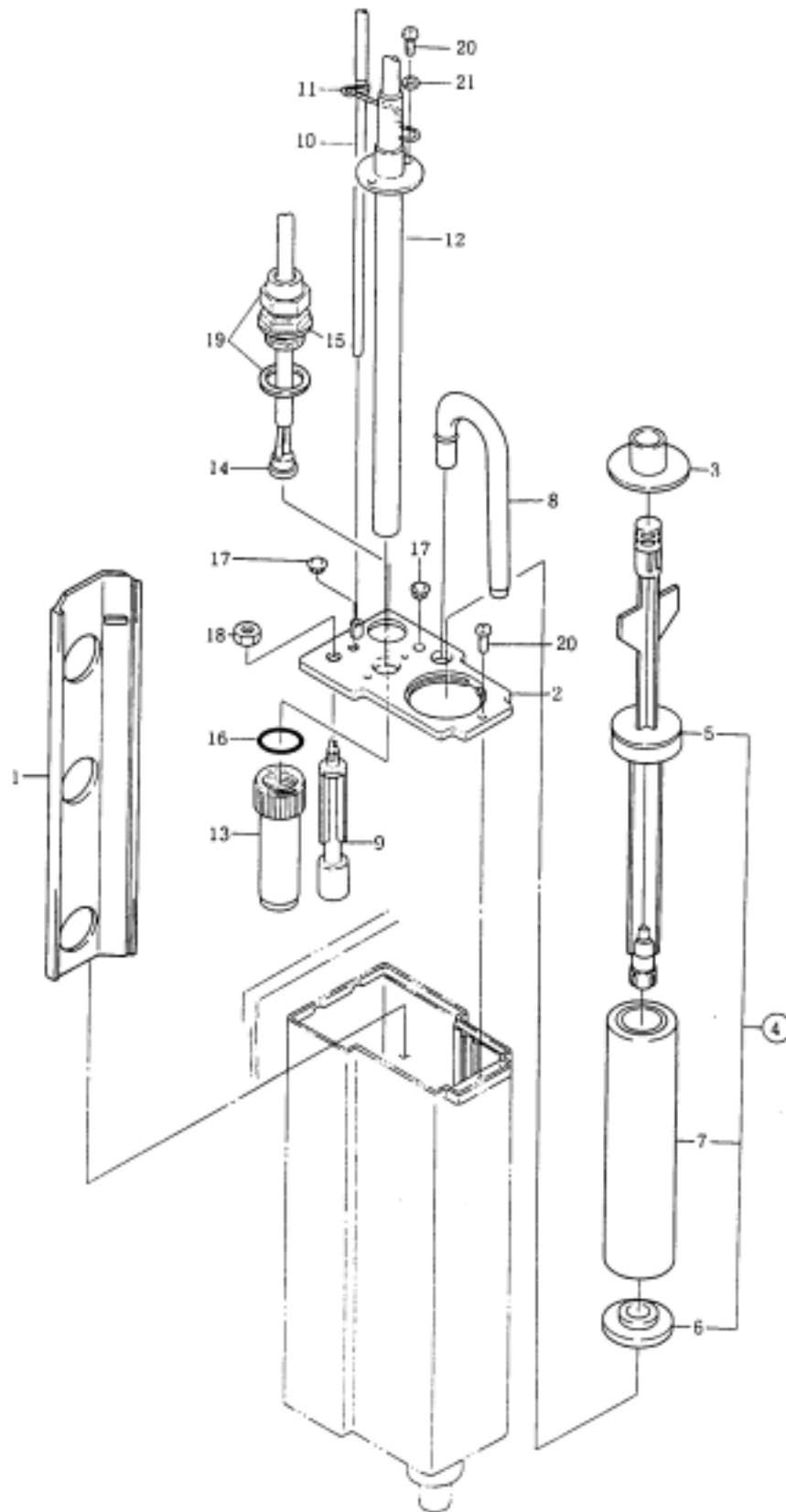


## 130 FIX-1.Temp.Control Assembly

060 999 022A

No.	Parts No.	Description	KIS Reference
1	43-A6158	Plate (Temperature Tank)	060 999 440A
2	43-45532-1	Lid (Tank)	060 999 441A
3	43-55273	Lid (Filter)	060 999 452A
4	32-A6741	Chemical Filter Set	060 999 453A
5	33-A6742	Cap A (Filter)	060 999 454A
6	43-A4044	Cap B (Filter)	060 999 415A
7	43-35063-1	Filter 140L	060 999 456A
8	33-45476-2	Pipe	060 999 436A
9	ZTYT30R/HS	Tie T30R/HS	060 999 448A

# 140 FIX-2.Temp.Control Sub-Assembly Summary

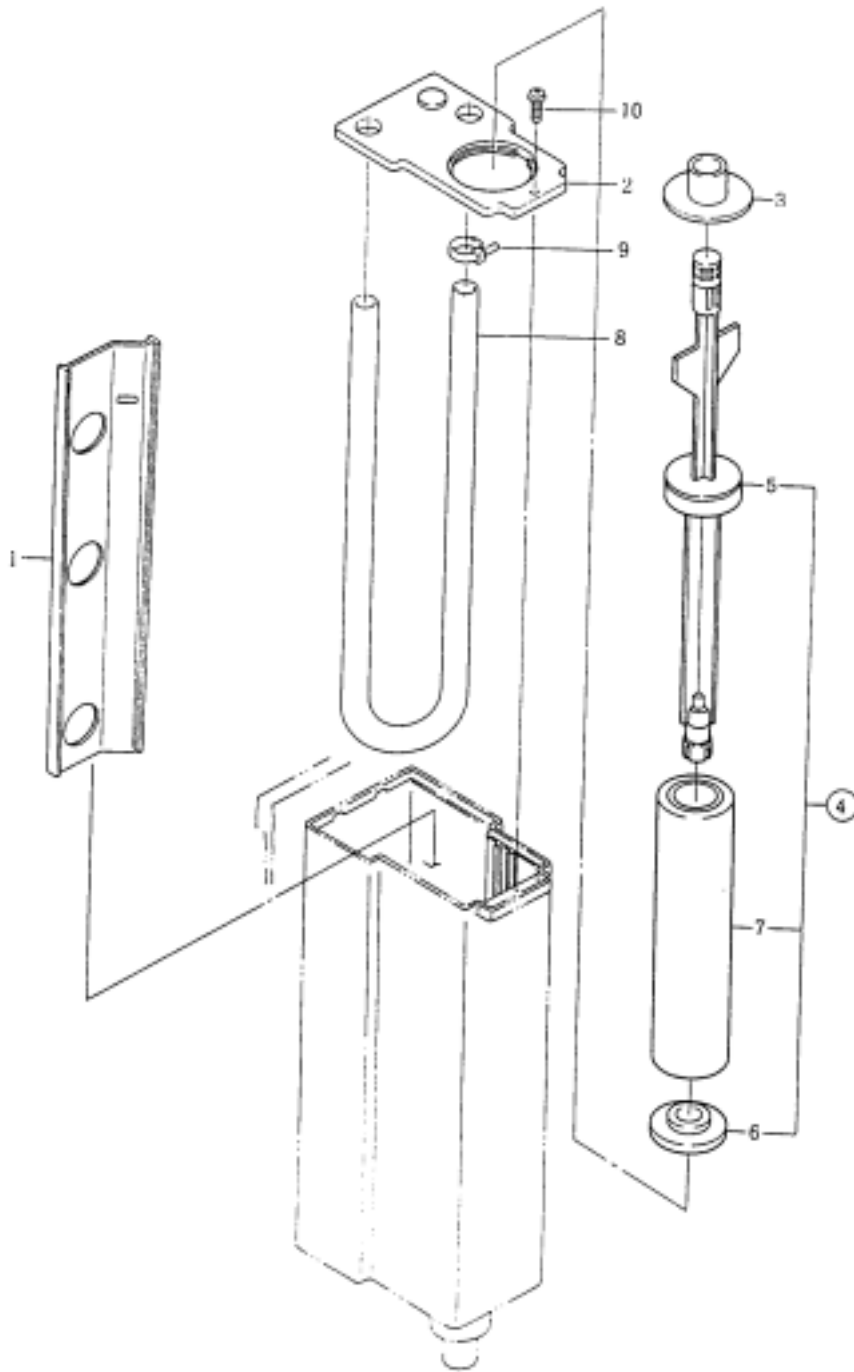


## 140 FIX-2.Temp.Control Assembly

060 999 023A

No.	Parts No.	Description	KIS Reference
1	43-A2334	Plate (Temperature Tank)	060 999 429A
2	33-55996-1	Lid (Tank)	060 999 451A
3	43-55273	Lid (Filter)	060 999 452A
4	32-A6741	Chemical Filter Set	060 999 453A
5	33-A6742	Cap A (Filter)	060 999 454A
6	43-A4044	Cap B (Filter)	060 999 415A
7	43-35063-1	Filter 140L	060 999 456A
8	43-55797-3	Pipe (Replenishing)	060 999 417A
9	33-45468-B2	Float Switch	060 999 458A
10	ZIDEP5F502G151022	Sensor EP5F502G1-51022	060 999 419A
11	43-55998	Earth Clip	060 999 420A
12	ZJDCH140350S	Heater 350W FC-014C	060 999 421A
13	43-25457-2	Case	060 999 422A
14	ZEW2455R43137	Thermostat 2455R-43-137	060 999 423A
15	43-A6183	Socket	060 999 424A
16	ZZORP0210C	O-Ring P-21	060 999 425A
17	ZHEDP312	Plug DP-312	060 999 426A
19	43-Z5031	Cord Lock (with Packing)	060 999 427A

# 150 STB-1.Temp.Control Sub-Assembly Summary

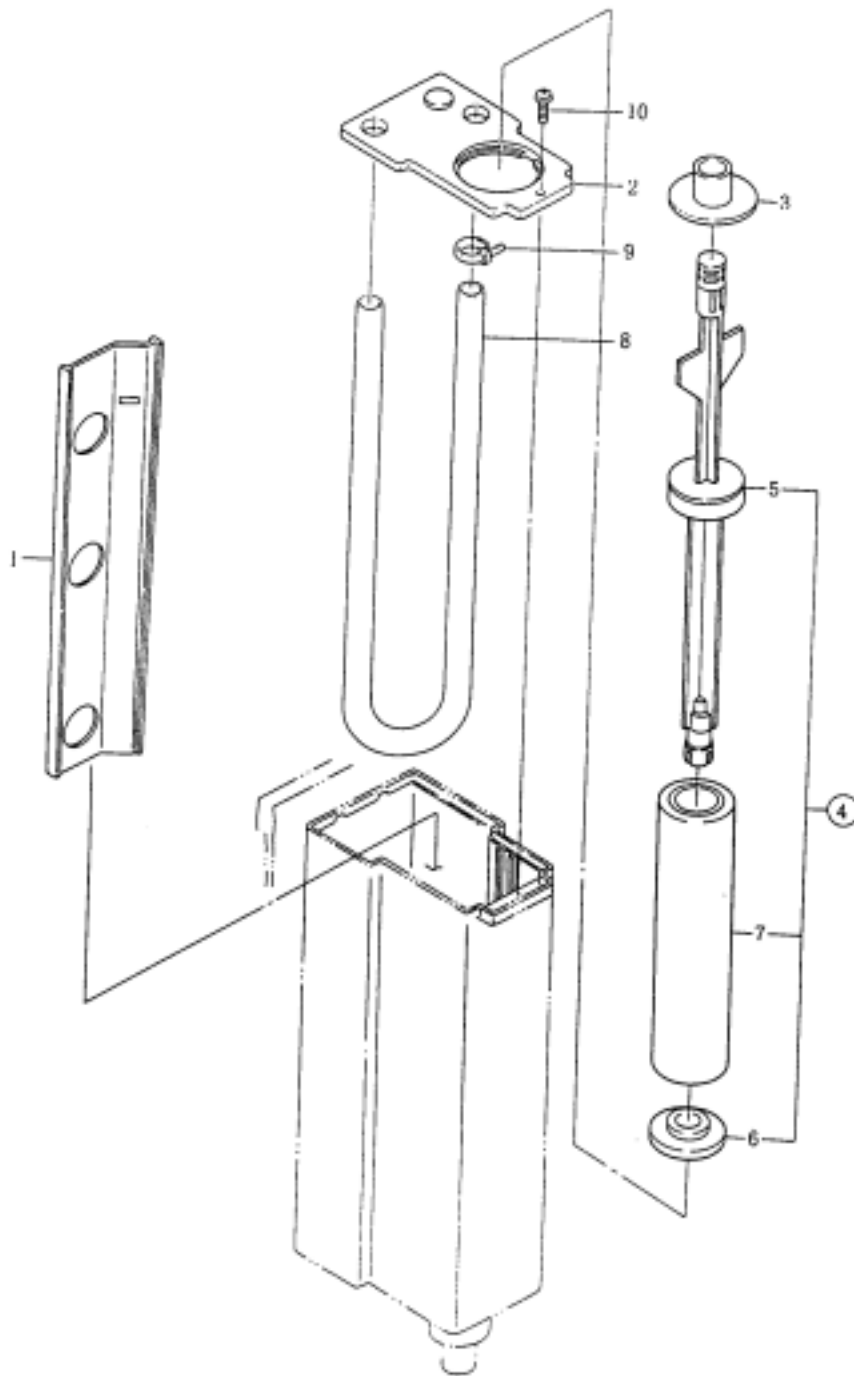


## 150 STB-1.Temp.Control Assembly

060 999 024A

No.	Parts No.	Description	KIS Reference
1	43-A6159	Plate (Temperature Tank)	060 999 468A
2	43-45532-1	Lid (Tank)	060 999 441A
3	43-55273	Lid (Filter)	060 999 452A
4	32-A6741	Chemical Filter Set	060 999 453A
5	33-A6742	Cap A (Filter)	060 999 454A
6	43-A4044	Cap B (Filter)	060 999 415A
7	43-35063-1	Filter 140L	060 999 456A
8	33-45477-2	Pipe	060 999 475A
9	ZTYT30R/HS	Tie T30R/HS	060 999 448A

# 160 STB-2.Temp.Control Sub-Assembly Summary

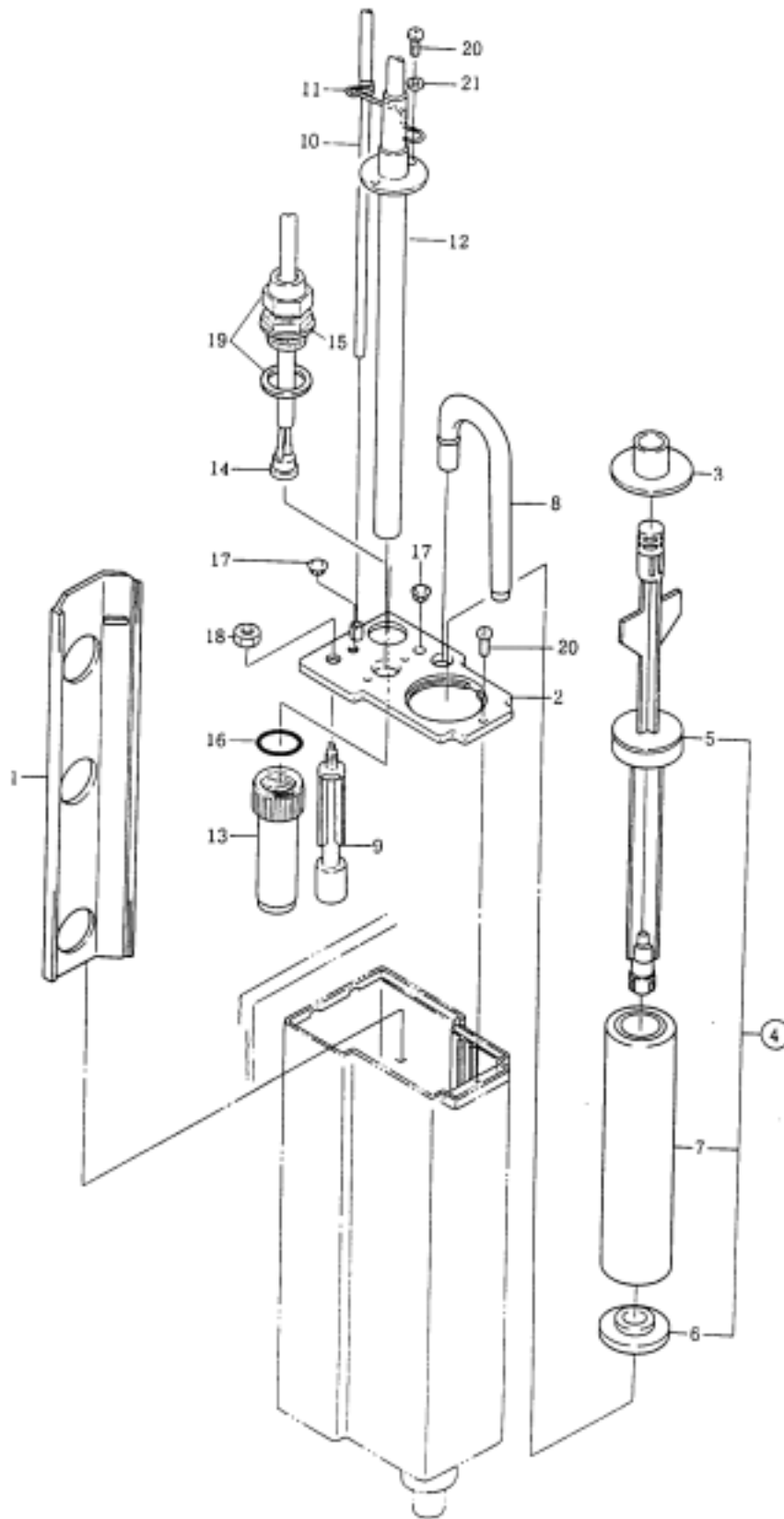


## 160 STB-2.Temp.Control Assembly

060 999 025A

No.	Parts No.	Description	KIS Reference
1	43-A2338	Plate (Temperature Tank)	060 999 477A
2	33-45532-1	Lid (Tank)	060 999 441A
3	43-55273	Lid (Filter)	060 999 479A
4	32-A6741	Chemical Filter Set	060 999 453A
5	33-A6742	Cap A (Filter)	060 999 454A
6	43-A4044	Cap B (Filter)	060 999 415A
7	43-35063-1	Filter 140L	060 999 456A
8	43-45477-2	Pipe	060 999 475A
9	ZTYT30R/HS	Tie T30R/HS	060 999 448A

# 170 STB-3.Temp.Control Sub-Assembly Summary

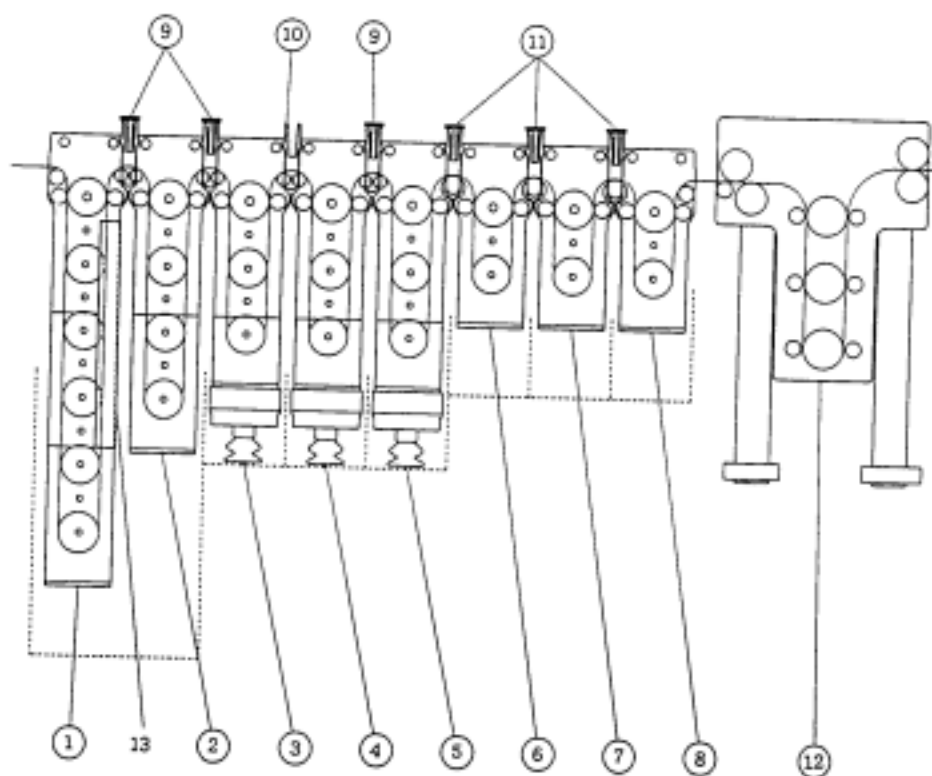




## 170 STB-3.Temp.Control Assembly

060 999 026A

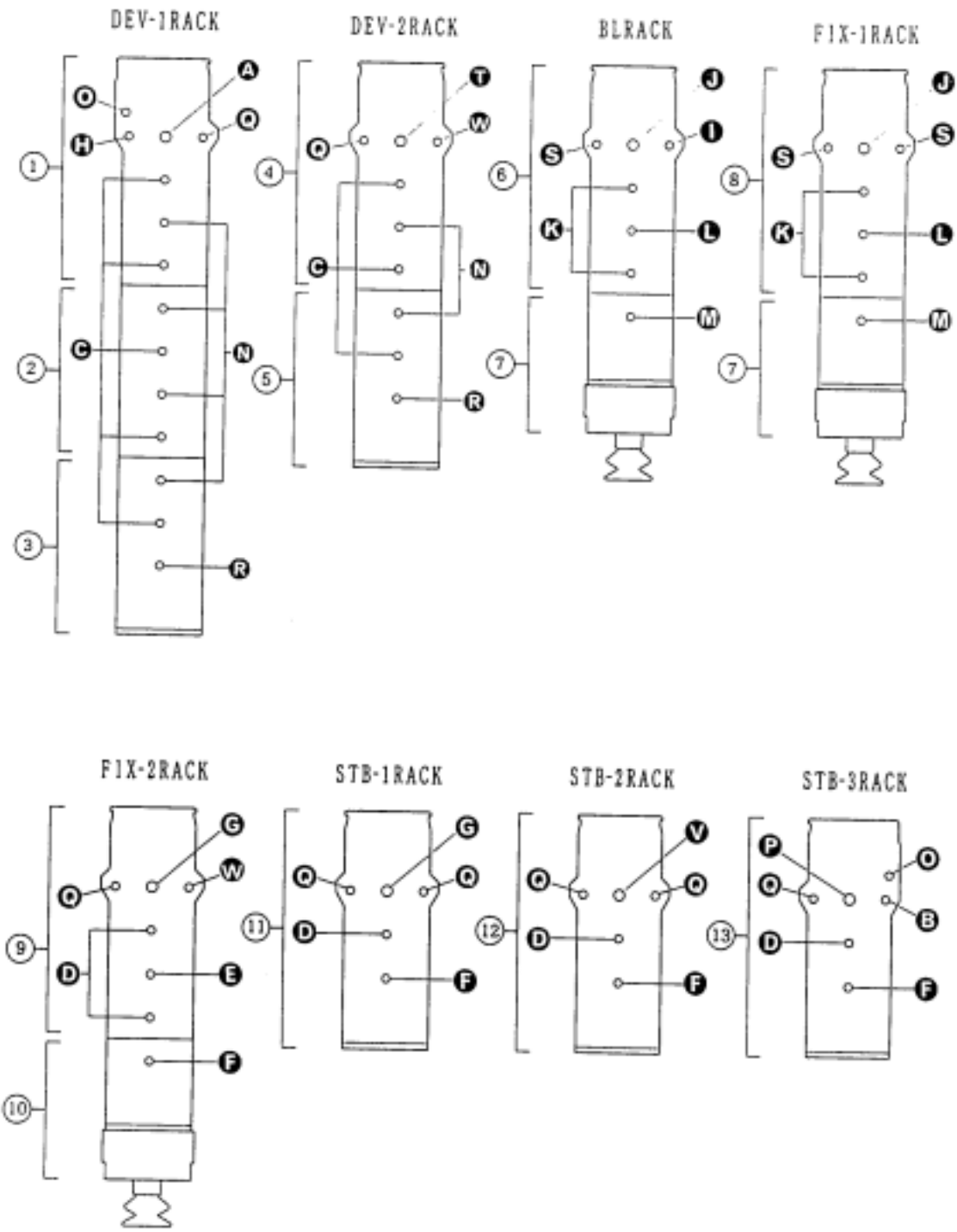
No.	Parts No.	Description	KIS Reference
1	43-A2262	Plate (Temperature Tank)	060 999 486A
2	33-55996-1	Lid (Tank)	060 999 451A
3	43-55273	Lid (Filter)	060 999 488A
4	32-A6741	Chemical Filter Set	060 999 453A
5	33-A6742	Cap A (Filter)	060 999 454A
6	43-A4044	Cap B (Filter)	060 999 415A
7	43-35063-1	Filter 140L	060 999 456A
8	43-55797-3	Pipe (Replenishing)	060 999 417A
9	33-45468-B2	Float Switch	060 999 418A
10	ZIDEP5F502G151022	Sensor EP5F502G1-51022	060 999 419A
11	43-55998	Earth Clip	060 999 420A
12	ZJDCH140240S	Heater 350W FC-014C	060 999 497A
13	43-25457-2	Case	060 999 422A
14	ZEW2455R43137	Thermostat 2455R-43-137	060 999 423A
15	43-A6183	Socket	060 999 424A
16	ZZORP0210C	O-Ring P-21	060 999 425A
17	ZHEDP312	Plug DP-312	060 999 502A
19	43-Z5031	Cord Lock (with Packing)	060 999 427A



## 180 Processing Rack Unit

060 999 027A

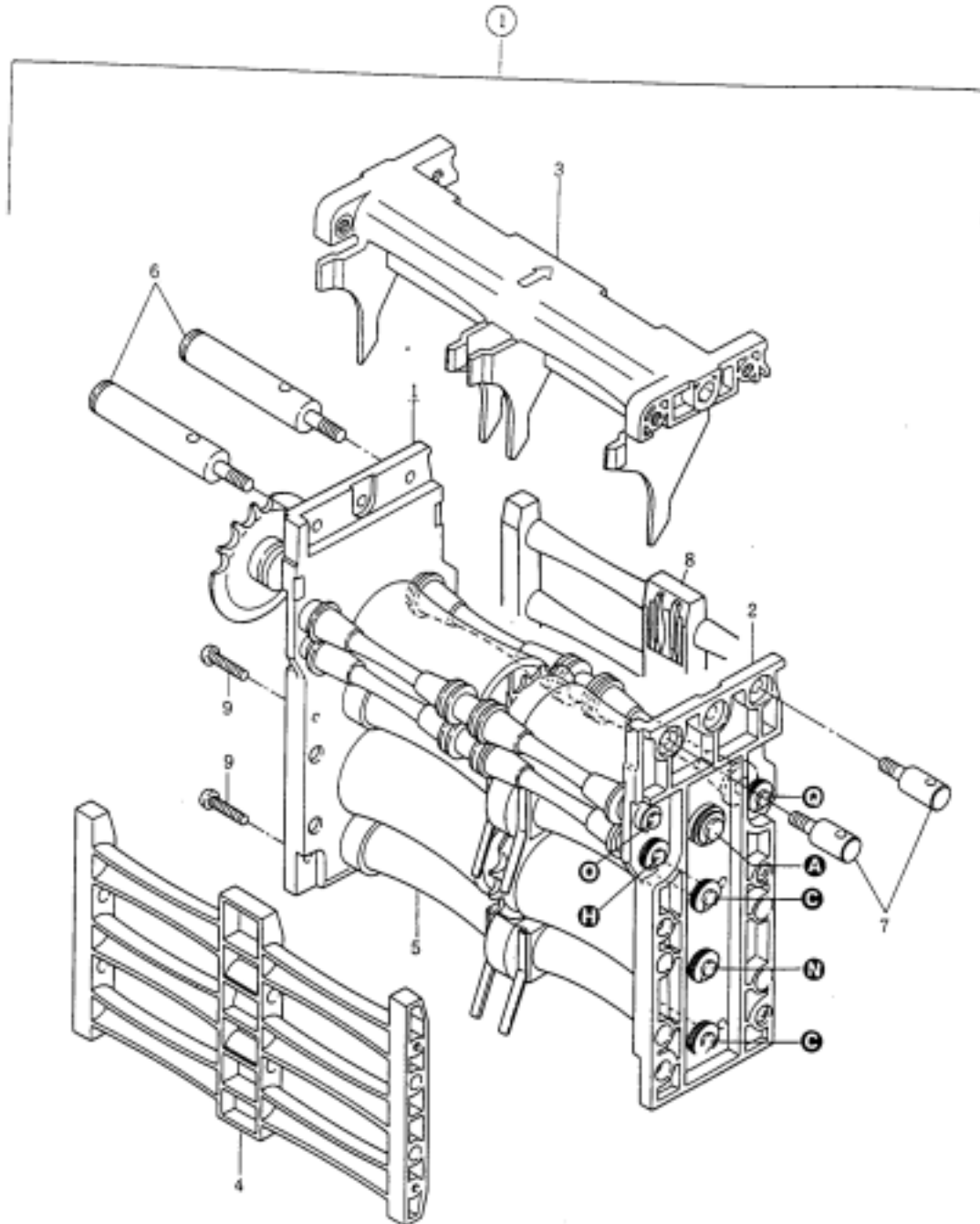
No.	Parts No.	Description	KIS Reference
1	12-C0503	DEV-1 Rack Assembly	060 999 504A
2	12-C0507	DEV-2 Rack Assembly	060 999 505A
3	12-A4486	BL Rack Assembly	060 999 506A
4	12-A4571	FIX-1 Rack Assembly	060 999 507A
5	12-A4662	FIX-2 Rack Assembly	060 999 508A
6	12-A4663	STB-1 Rack Assembly	060 999 509A
7	12-A4490	STB-2 Rack Assembly	060 999 510A
8	12-A4491-1	STB-3 Rack Assembly	060 999 528A
9	22-A4688	Crossover Guide Unit	060 999 512A
10	22-A4522	Crossover Guide Unit II	060 999 513A
11	22-A4635	Crossover Guide Unit II	060 999 514A
12	22-A7461-1	Dryer Rack Assembly	060 999 515A
13	43-A0390	Plate (Cover)	060 999 516A



## 190 Processing Rack Roller Layout

060 999 028A

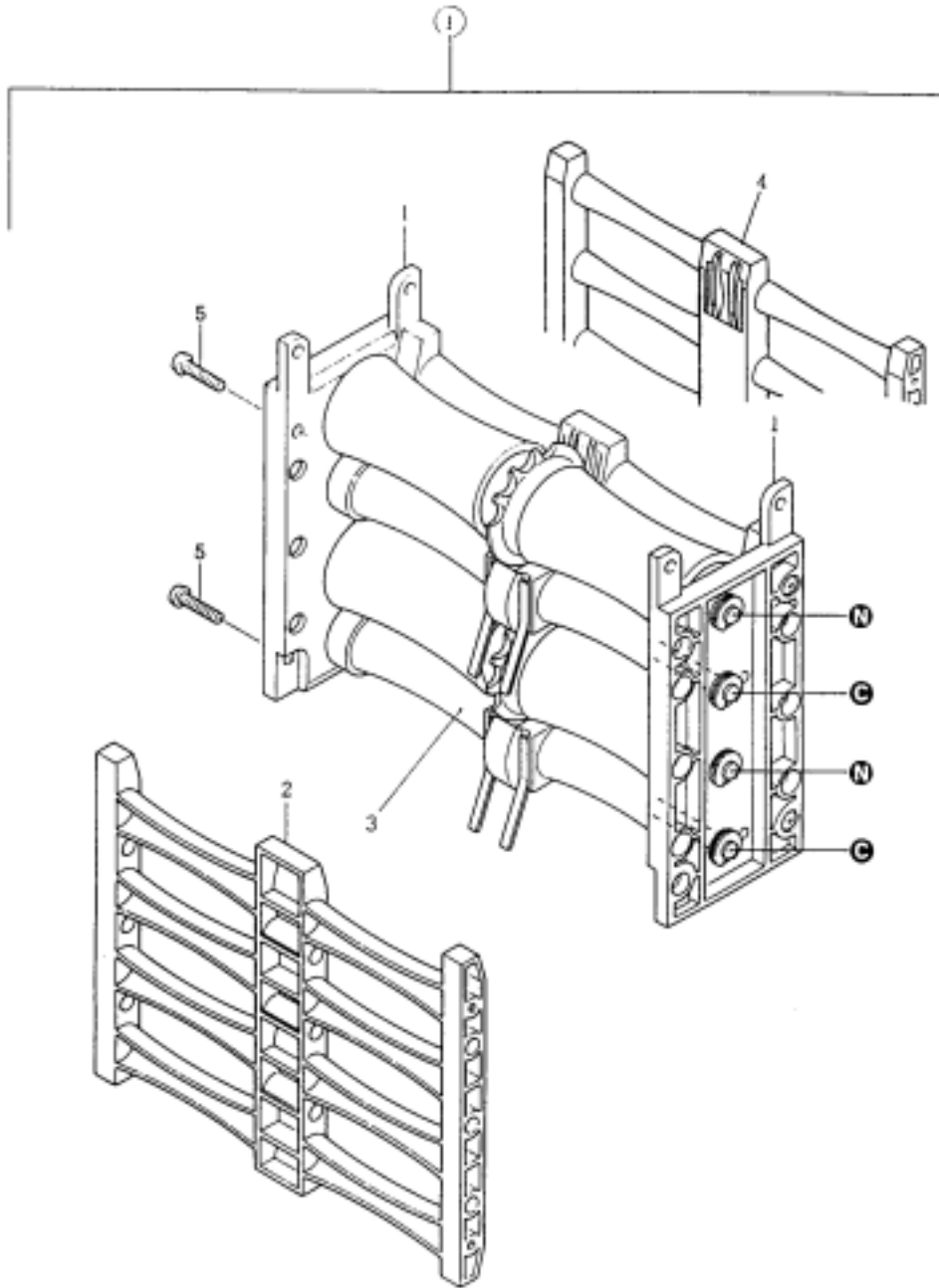
No.	Parts No.	Description	KIS Reference
1	12-C0516	Rack Block Unit 1	060 999 517A
2	22-C0504	Rack Block Unit 2	060 999 518A
3	22-C0505	Rack Block Unit 3	060 999 549A
4	22-C0506	Rack Block Unit 4	060 999 520A
5	22-C0599	Rack Block Unit 5	
6	12-A4481	Rack Block Unit 6	060 999 569A
7	22-A4533	Rack Block Unit 7	060 999 583A
8	22-A4701	Rack Block Unit 8	060 999 591A
9	22-A4702	Rack Block Unit 9	060 999 604A
10	22-A4534	Rack Block Unit 10	060 999 618A
11	12-A4663	STB-1 Rack Assembly	060 999 526A
12	12-A4490	STB-2 Rack Assembly	060 999 510A
13	12-A4491-1	STB-3 Rack Assembly	060 999 528A



## 200 Processing Rack Block Unit 1

060 999 517A

No.	Parts No.	Description	KIS Reference
A	12-C0516	Rack Block Unit 1	060 999 517A
1	23-A4422	Frame A (I/O Rack)	060 999 530A
2	23-A4423	Frame B (I/O Rack)	060 999 531A
3	23-A4425	Guide (Inlet Upper)	060 999 532A
4	23-A4690	Guide (Upper)	
5	23-45298	Cover (Gear)	060 999 890A
6	43-A4502	Holder (Rack) Ø12	060 999 535A
7	43-A4503	Holder (Rack) Ø10	060 999 536A
8	23-45205-3	Guide (Upper)	060 999 630A
A	32-C0515	Roller Set (Drive)	
C	32-A0427	Gear Set (Idle)	
H	32-A4469	Roller Set (Inlet)	060 999 539A
N	32-A0428	Gear Set (Feed)	
O	32-A0484	Roller Set (Upper)	060 999 752A
Q	32-A4472	Roller Set (I/O)	060 999 767A

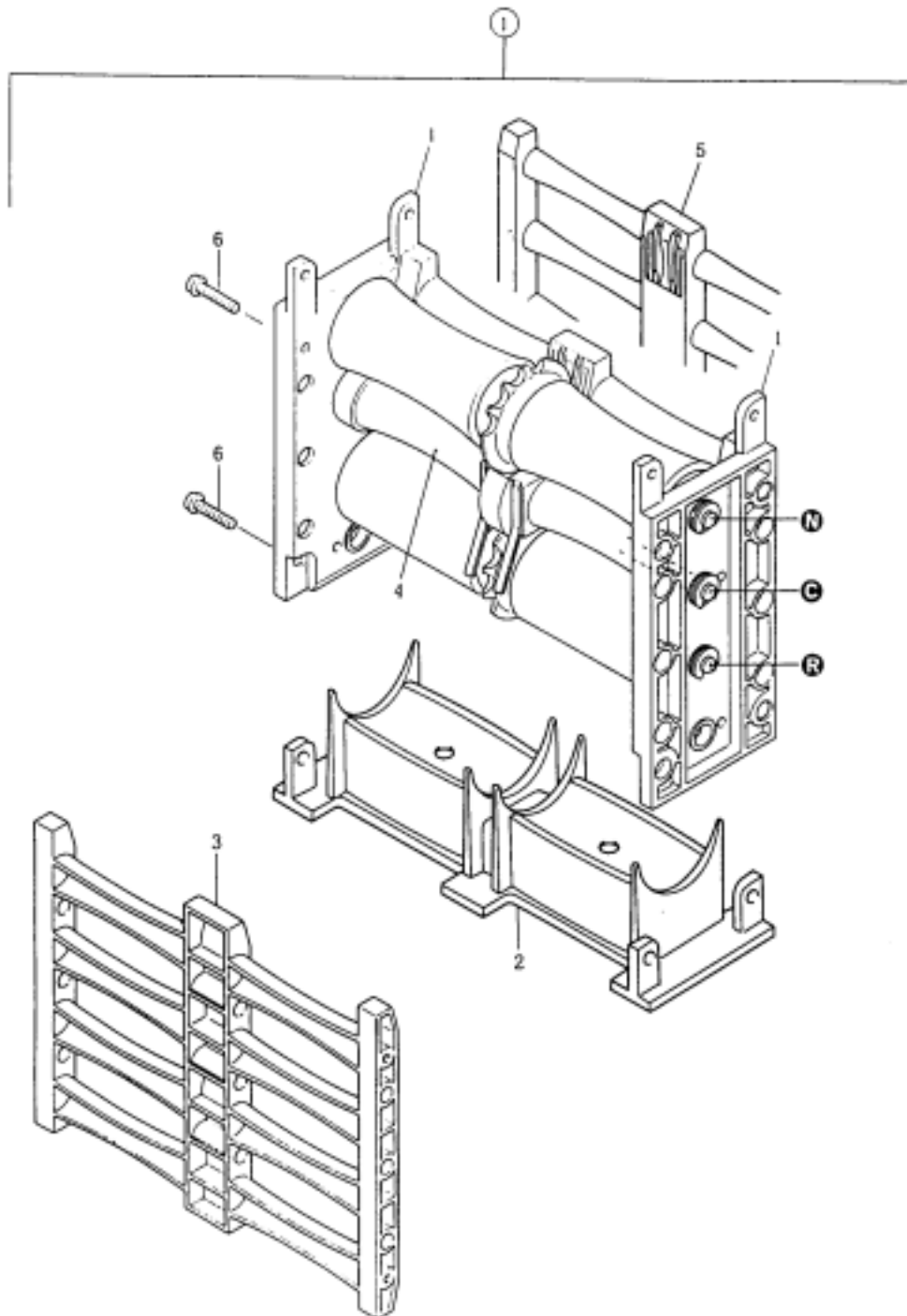




## 210 Processing Rack Block Unit 2

060 999 518A

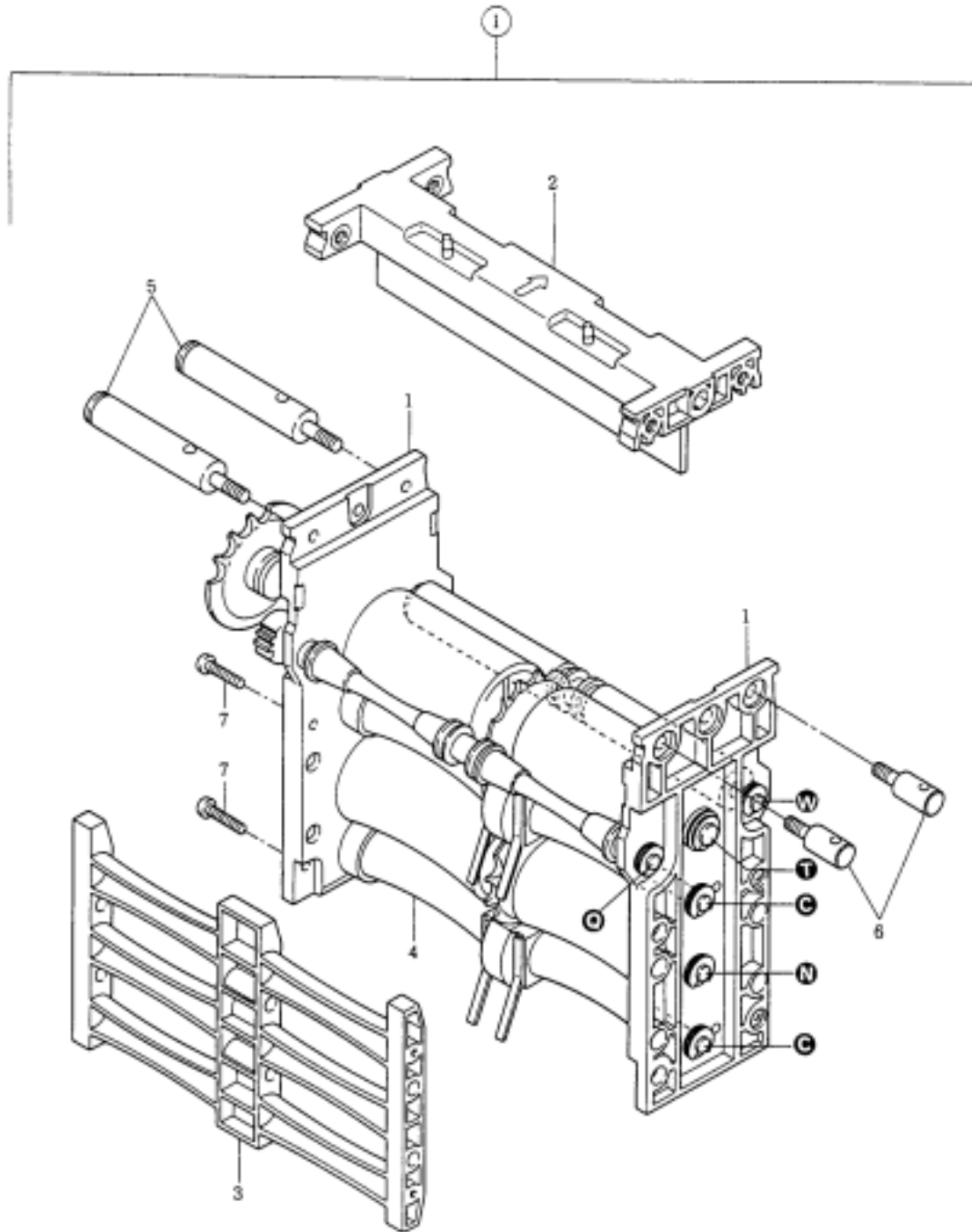
No.	Parts No.	Description	KIS Reference
A	22-C0504	Rack Block Unit 2	060 999 518A
1	23-45202-2	Frame (Rack Side)	060 999 544A
2	23-A4691	Guide (Main)	
3	23-45298	Cover (Gear)	060 999 890A
4	23-45206-3	Guide (Main)	060 999 552A
C	32-A0427	Gear Set (Idle)	
N	32-A0428	Gear Set (Feed)	



## 220 Processing Rack Block Unit 3

060 999 549A

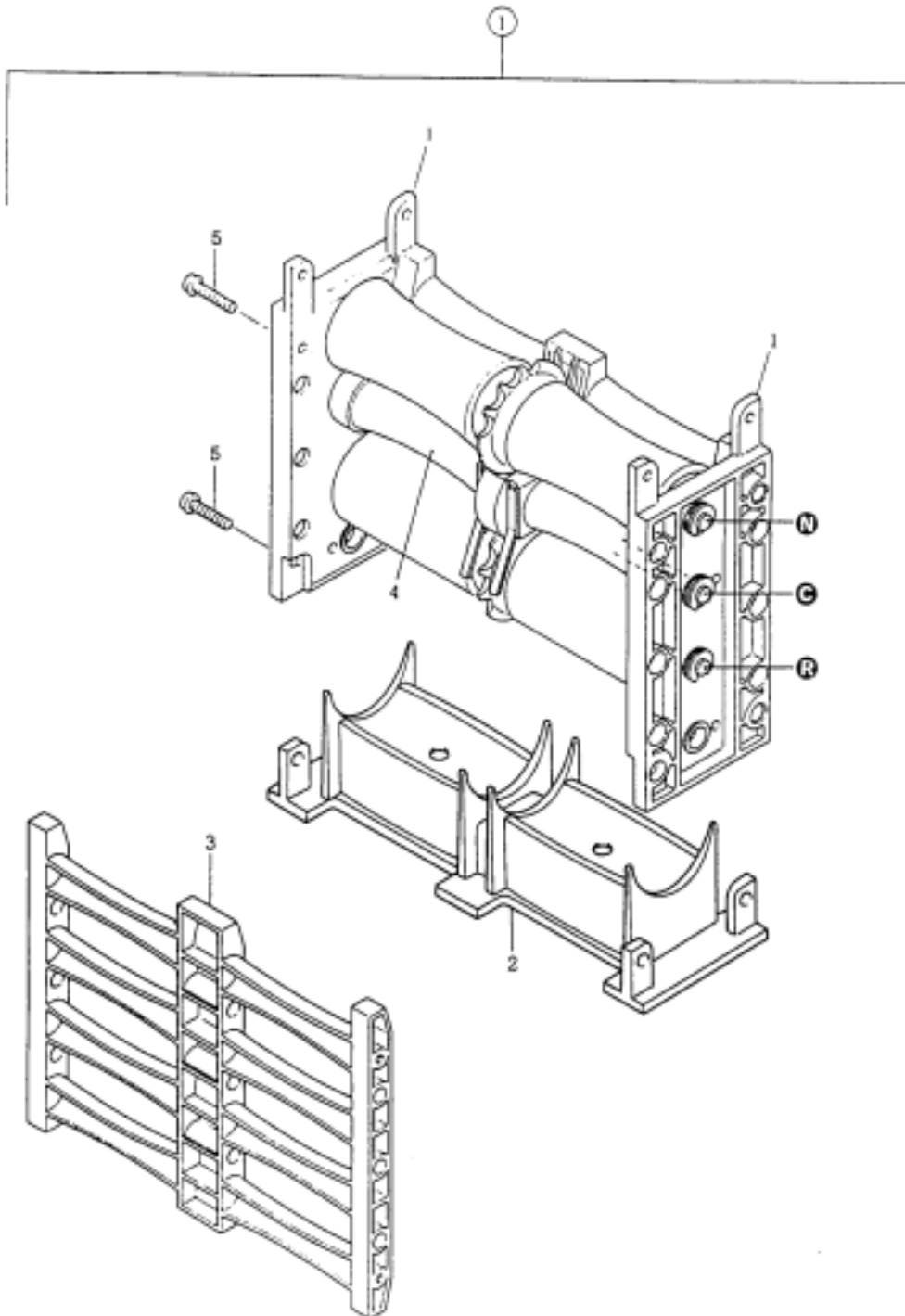
No.	Parts No.	Description	KIS Reference
A	22-C0505	Rack Block Unit 3	060 999 549A
1	23-45202-2	Frame (Rack Side)	060 999 544A
2	23-A4529-1	Guide (Lower Rack)	060 999 551A
3	23-A4691	Guide (Main)	
4	23-45298	Cover (Gear)	060 999 870A
5	23-45206-3	Guide (Main)	060 999 552A
C	32-A0427	Gear Set (Idle)	
N	32-A0428	Gear Set (Feed)	
R	32-A0429	Roller Set (Lower Turn)	



## 230 Processing Rack Block Unit 4

060 999 520A

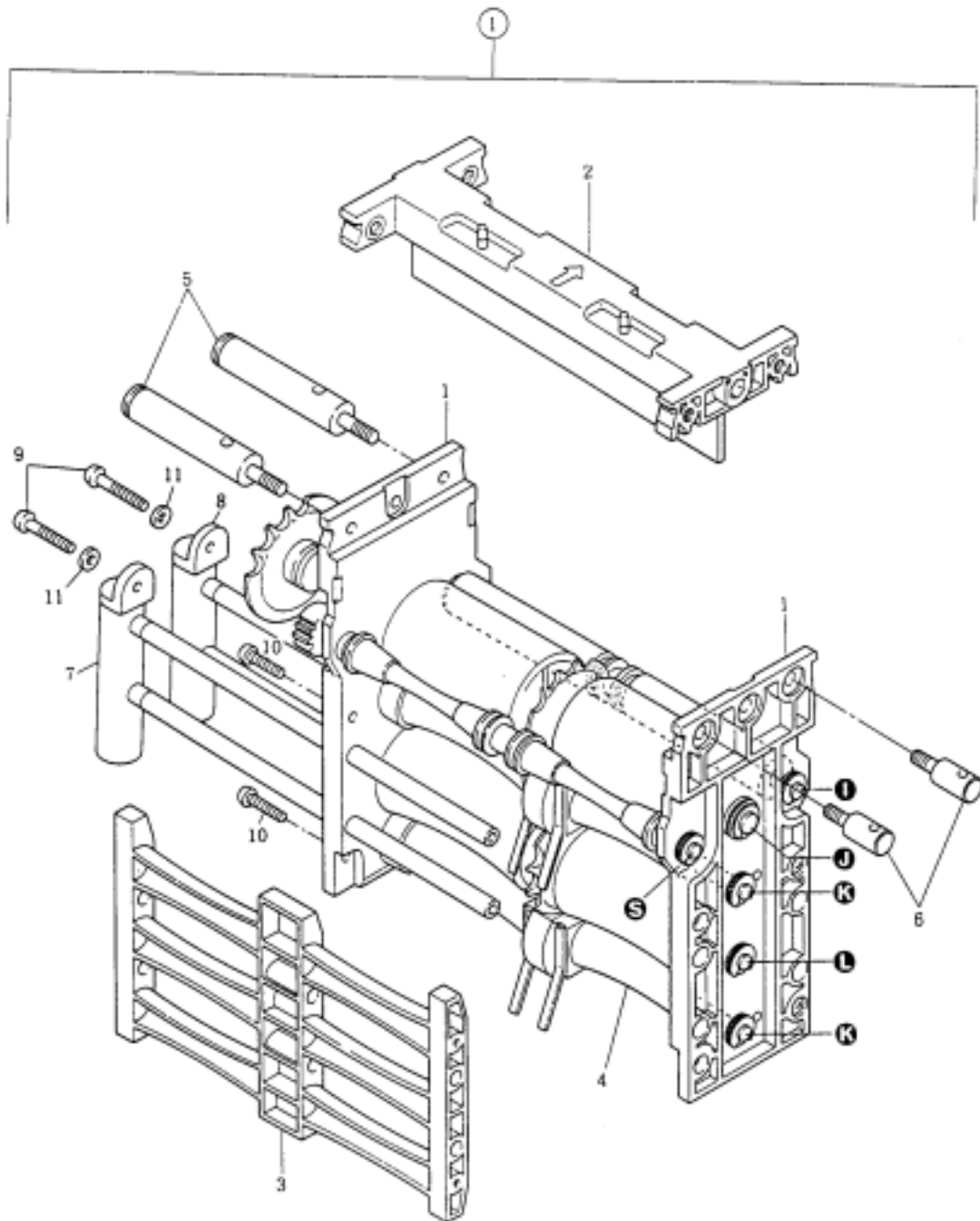
No.	Parts No.	Description	KIS Reference
A	22-C0506	Rack Block Unit 4	060 999 520A
1	23-A4424	Frame (Rack Side)	060 999 570A
2	23-A4427-1	Frame (Upper)	060 999 606A
3	23-45205-3	Guide (Upper)	060 999 630A
4	23-45298	Cover (Gear)	060 999 890A
5	43-A4502	Holder (Rack) Ø12	060 999 535A
6	43-A4503	Holder (Rack) Ø10	060 999 536A
C	32-A0427	Gear Set (Idle)	
N	32-A0428	Gear Set (Feed)	
T	32-A0426-1	Roller Set (Drive)	
Q	32-A4472	Roller Set (I/O)	060 999 767A
W	32-C0554	Roller Set (Outlet)	



## 240 Processing Rack Block Unit 5

060 999

No.	Parts No.	Description	KIS Reference
A	22-C0599	Rack Block Unit 5	
1	23-45202-2	Frame (Rack Side)	
2	23-A4529-1	Guide (Lower Rack)	
3	23-A4691	Guide (Main)	
4	23-45298	Cover (Gear)	
C	32-A0427	Gear Set (Idle)	
N	32-A0428	Gear Set (Feed)	
R	32-A0429	Roller Set (Lower Turn)	

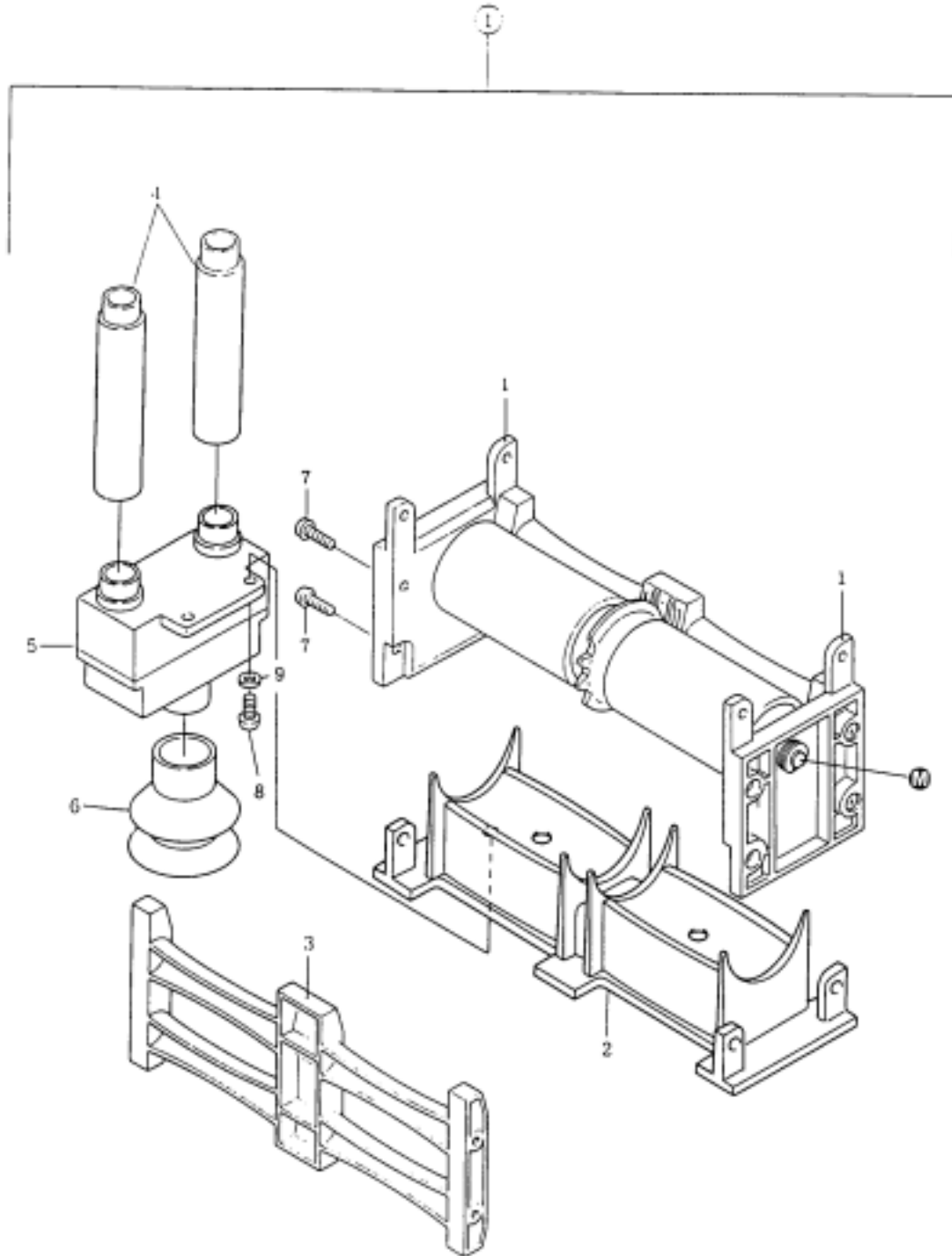




## 250 Processing Rack Block Unit 6

060 999 569A

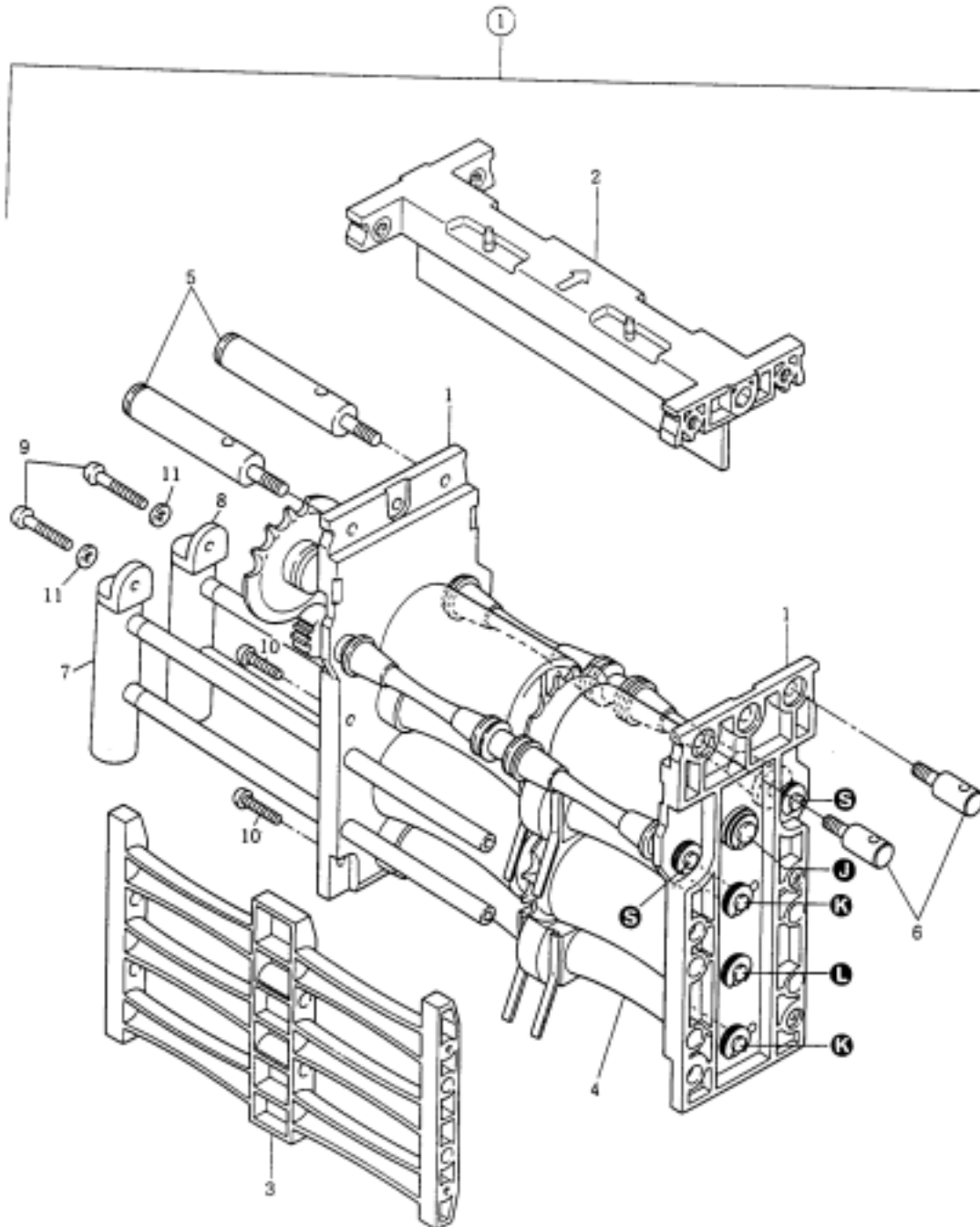
No.	Parts No.	Description	KIS Reference
A	12-A4481	Rack Block Unit 6	060 999 569A
1	23-A4424	Frame (Rack Side)	060 999 570A
2	23-A4427-1	Frame (Upper)	060 999 606A
3	23-45205-3	Guide (Upper)	060 999 630A
4	23-45298	Cover (Gear)	060 999 870A
5	43-A4502	Holder (Rack) Ø12	060 999 535A
6	43-A4503	Holder (Rack) Ø10	060 999 536A
7	32-65013	Pipe (Upper A)	060 999 598A
8	32-65076	Pipe (Upper B)	060 999 599A
I	32-C0555	Roller Set (Outlet)	060 999 719A
J	32-65161-2	Roller Set (Drive)	060 999 725A
K	32-45446-2	Gear Set (Idle)	060 999 738A
L	32-45448-1	Gear Set (Feed)	060 999 742A
S	32-A4473	Roller Set (I/O)	060 999 774A



## 260 Processing Rack Block Unit 7

060 999 583A

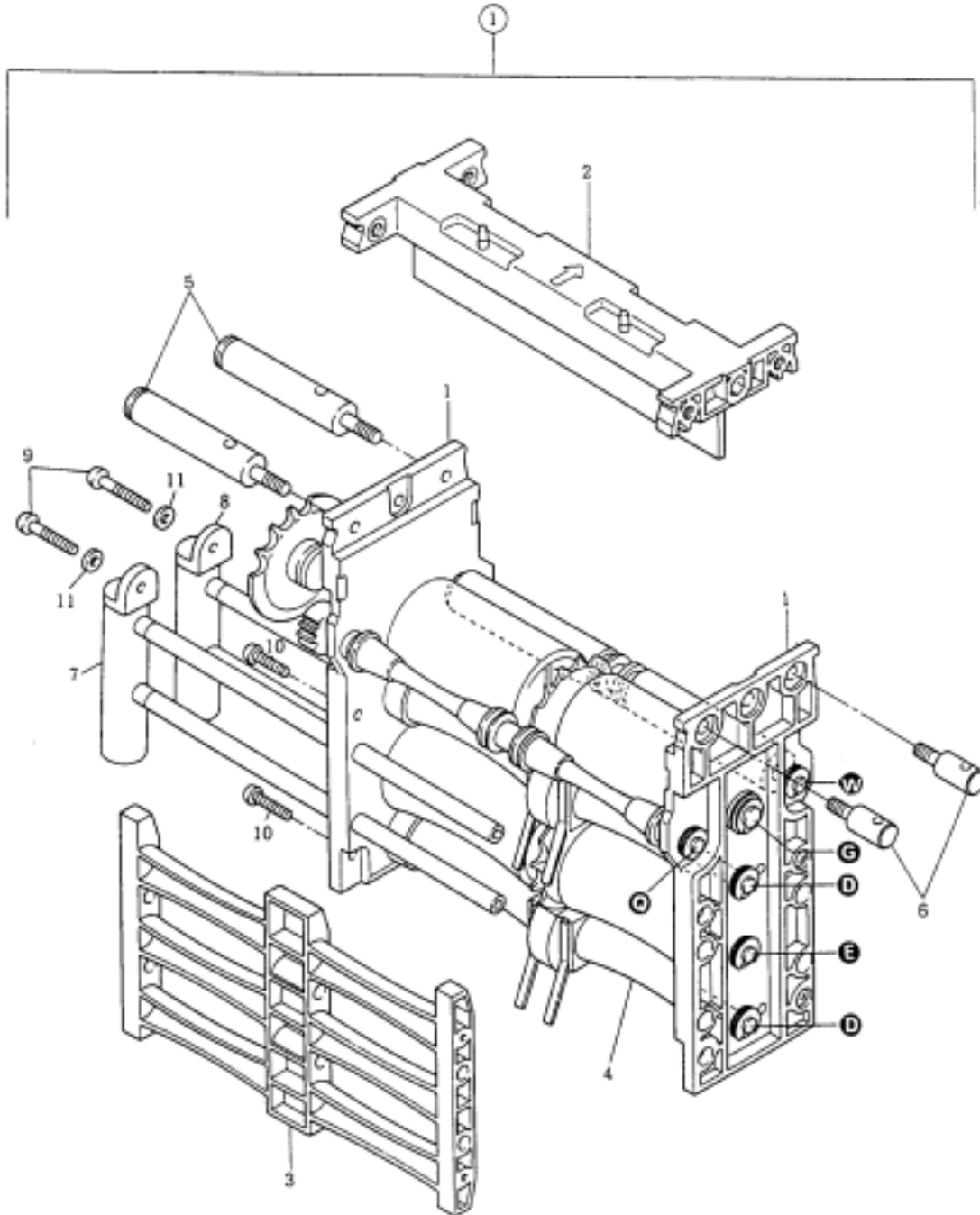
No.	Parts No.	Description	KIS Reference
A	22-A4533	Rack Block Unit 7	060 999 583A
1	23-45229-1	Frame (Half Rack Side)	060 999 584A
2	23-A4529-1	Guide (Lower Turn)	060 999 585A
3	23-45228-2	Guide (Half)	060 999 621A
4	23-45484-1	Pipe	060 999 622A
5	33-45485	Joint	060 999 623A
6	33-45488	Joint	060 999 589A
M	32-45768-1	Roller Set (Lower Turn)	060 999 747A



## 270 Processing Rack Block Unit 8

060 999 591A

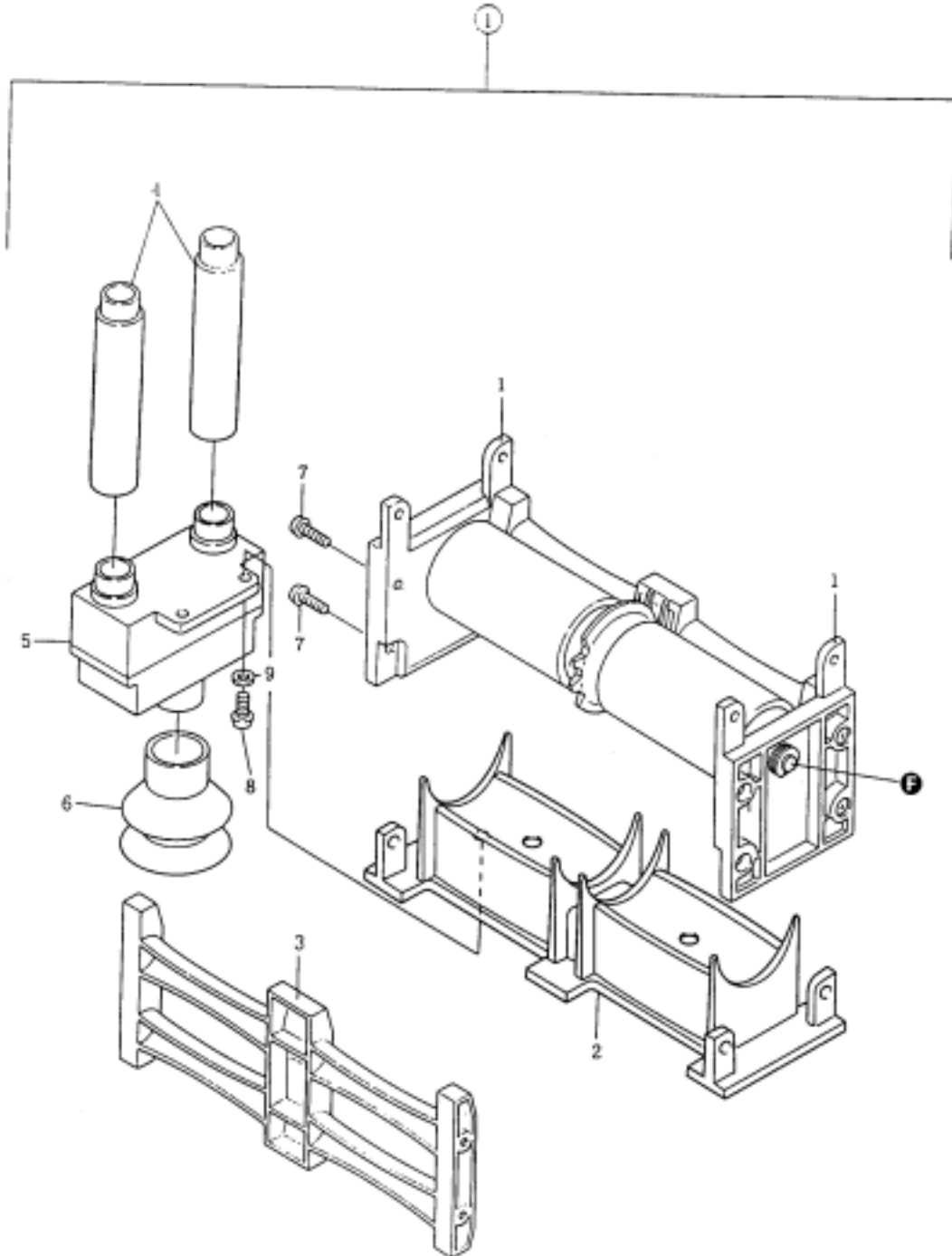
No.	Parts No.	Description	KIS Reference
A	22-A4701	Rack Block Unit 8	060 999 591A
1	23-A4424	Frame (Rack Side)	060 999 570A
2	23-A4427-1	Frame (Upper Turn)	060 999 606A
3	23-45205-3	Guide (Upper)	060 999 630A
4	23-45298	Cover (Gear)	060 999 890A
5	32-A4502	Holder (Rack) Ø12	060 999 535A
6	33-A4503	Holder (Rack) Ø10	060 999 536A
7	32-65013	Pipe (Upper A)	060 999 598A
8	32-65076	Pipe (Upper B)	060 999 599A
J	32-65161-2	Roller Set (Drive)	060 999 725A
K	32-45446-2	Gear Set (Idle)	060 999 738A
L	32-45448-1	Gear Set (Feed)	060 999 742A
S	32-A4473	Roller Set (I/O)	060 999 774A



## 280 Processing Rack Block Unit 9

060 999 604A

No.	Parts No.	Description	KIS Reference
A	22-A4702	Rack Block Unit 9	060 999 604A
1	23-A4424	Frame (Rack Side)	060 999 570A
2	23-A4427-1	Frame (Upper)	060 999 606A
3	23-45205-3	Guide (Upper)	060 999 630A
4	23-45298	Cover (Gear)	060 999 870A
5	43-A4502	Holder (Rack) Ø12	060 999 535A
6	43-A4503	Holder (Rack) Ø10	060 999 536A
7	32-65013	Pipe (Upper A)	060 999 598A
8	32-65076	Pipe (Upper B)	060 999 599A
D	32-45223-2	Gear Set (Idle)	060 999 689A
E	32-45225-1	Gear Set (Feed)	060 999 693A
G	32-65160-2	Roller Set (Drive)	060 999 703A
Q	32-A4472	Roller Set (I/O)	060 999 767A
W	32-C0554	Roller Set (Outlet)	

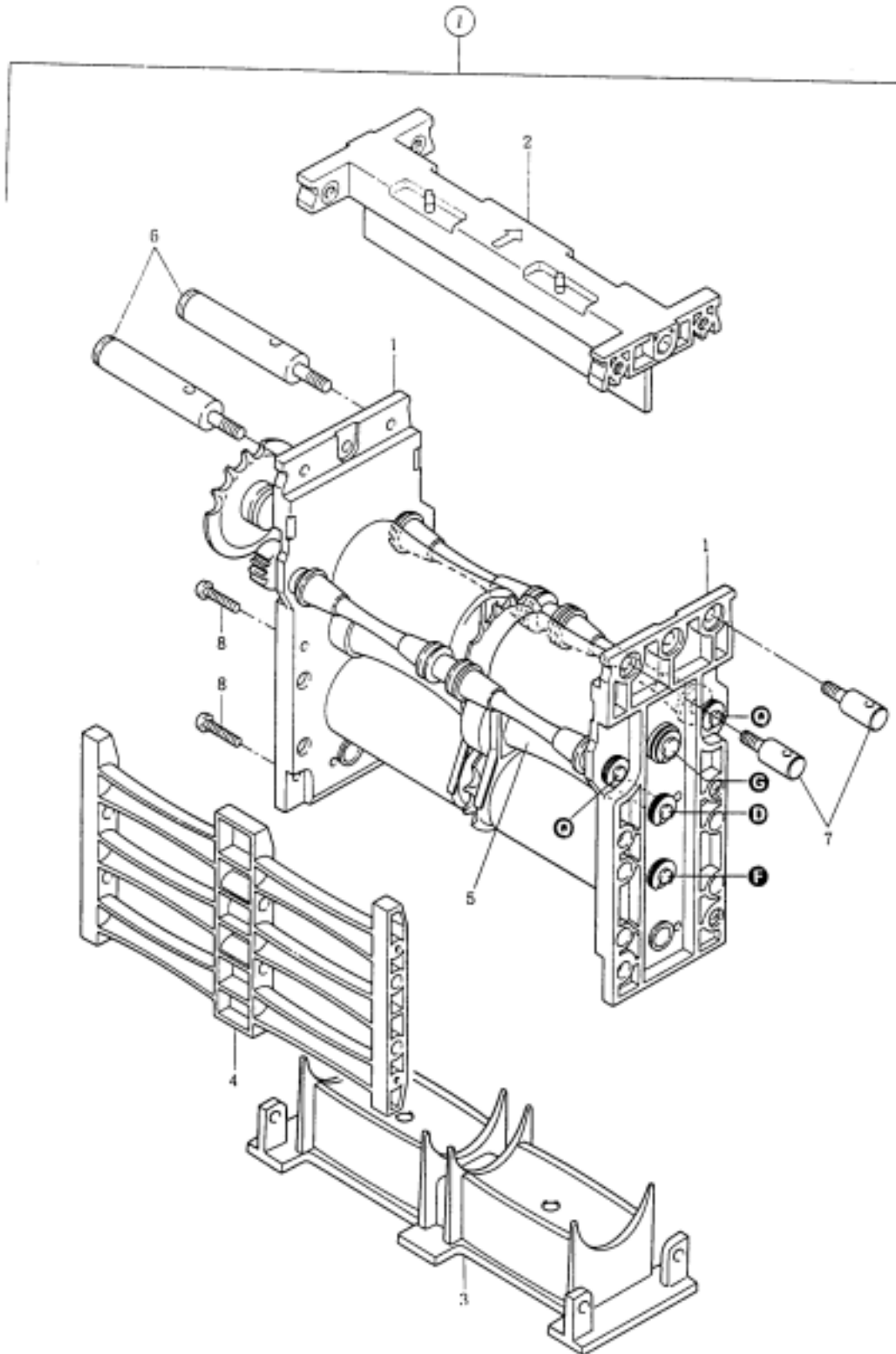




## 290 Processing Rack Block Unit 10

060 999 618A

No.	Parts No.	Description	KIS Reference
A	22-A4534	Rack Block Unit 10	060 999 618A
1	23-45229-1	Frame (Half Rack Side)	060 999 584A
2	23-A4529-1	Guide (Lower Turn)	060 999 585A
3	23-45228-2	Guide (Half)	060 999 621A
4	43-45484-1	Pipe	060 999 622A
5	32-45485	Joint	060 999 623A
6	33-45488	Joint	060 999 589A
F	32-45766-1	Roller Set (Lower Turn)	060 999 698A



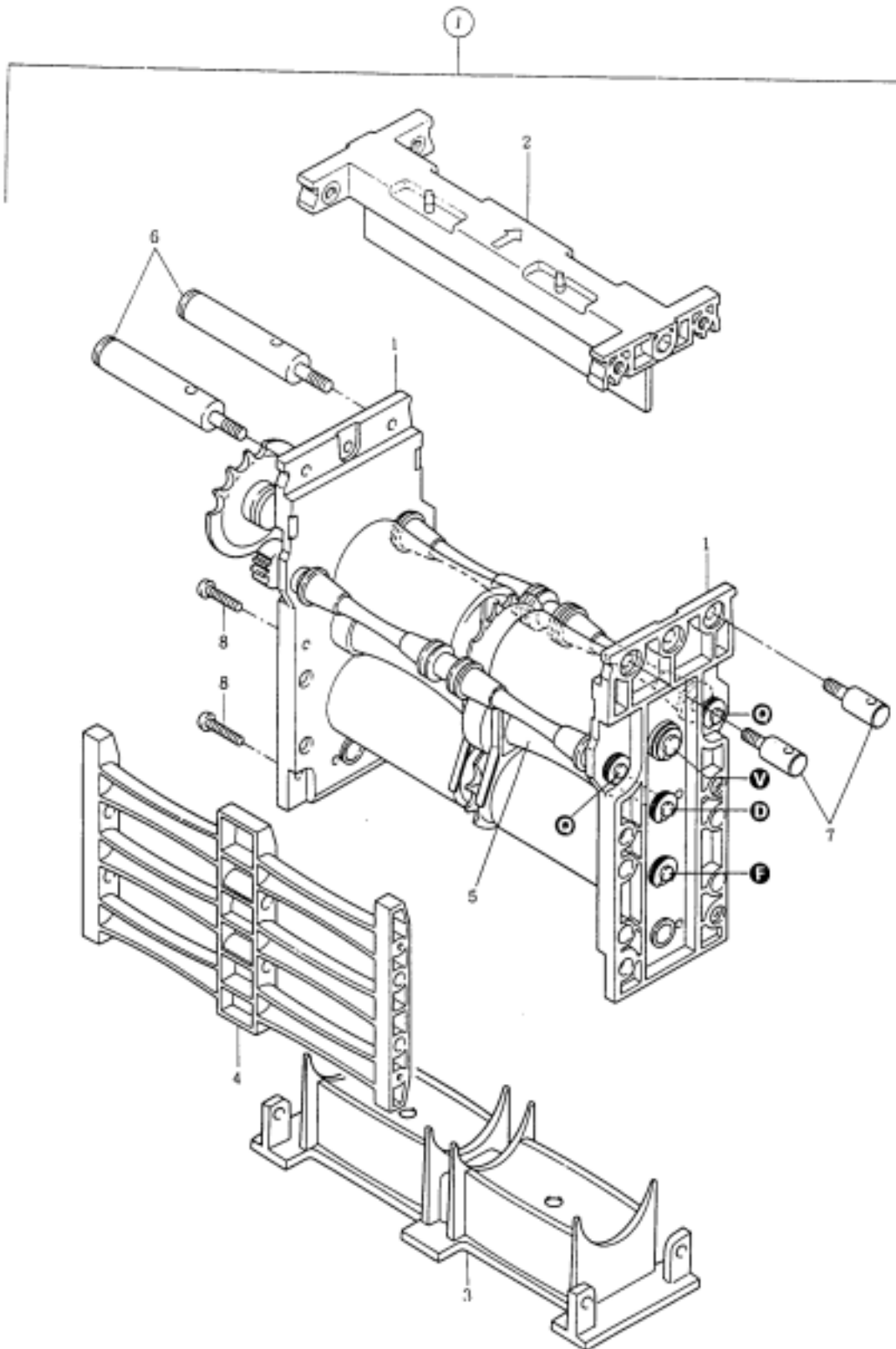
## 300 Processing Rack STB-1 Unit

060 999 526A

No.	Parts No.	Description	KIS Reference
A	12-A4663	STB-1 Rack Assembly	060 999 526A
1	23-A4424	Frame (Rack Side)	060 999 570A
2	23-A4427-1	Frame (Upper)	060 999 606A
3	23-A4529-1	Guide (Lower Rack)	060 999 585A
4	23-45205-3	Guide (Upper)	060 999 630A
5	23-45298	Cover (Gear)	060 999 870A
6	32-A4502	Holder (Rack) Ø12	060 999 632A
7	32-A4503	Holder (Rack) Ø10	060 999 633A
D	32-45223-2	Gear Set (Idle)	060 999 689A
F	32-45766-1	Roller Set (Lower Turn)	060 999 698A
G	32-65160-2	Roller Set (Drive)	060 999 703A
Q	32-A4472	Roller Set (I/O)	060 999 767A

# 310 Processing Rack STB-2 Unit

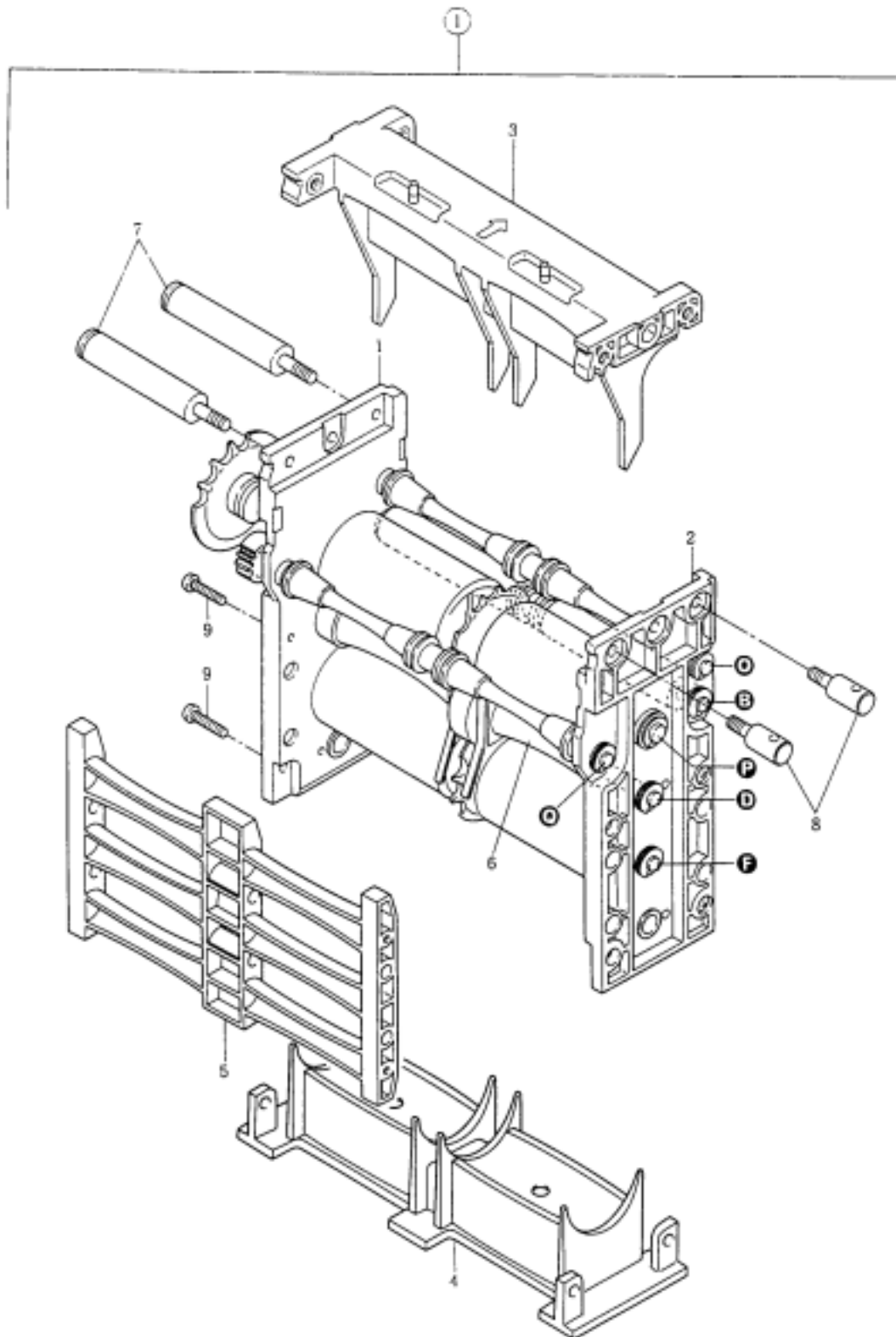
# Summary



## 310 Processing Rack STB-2 Unit

060 999 510A

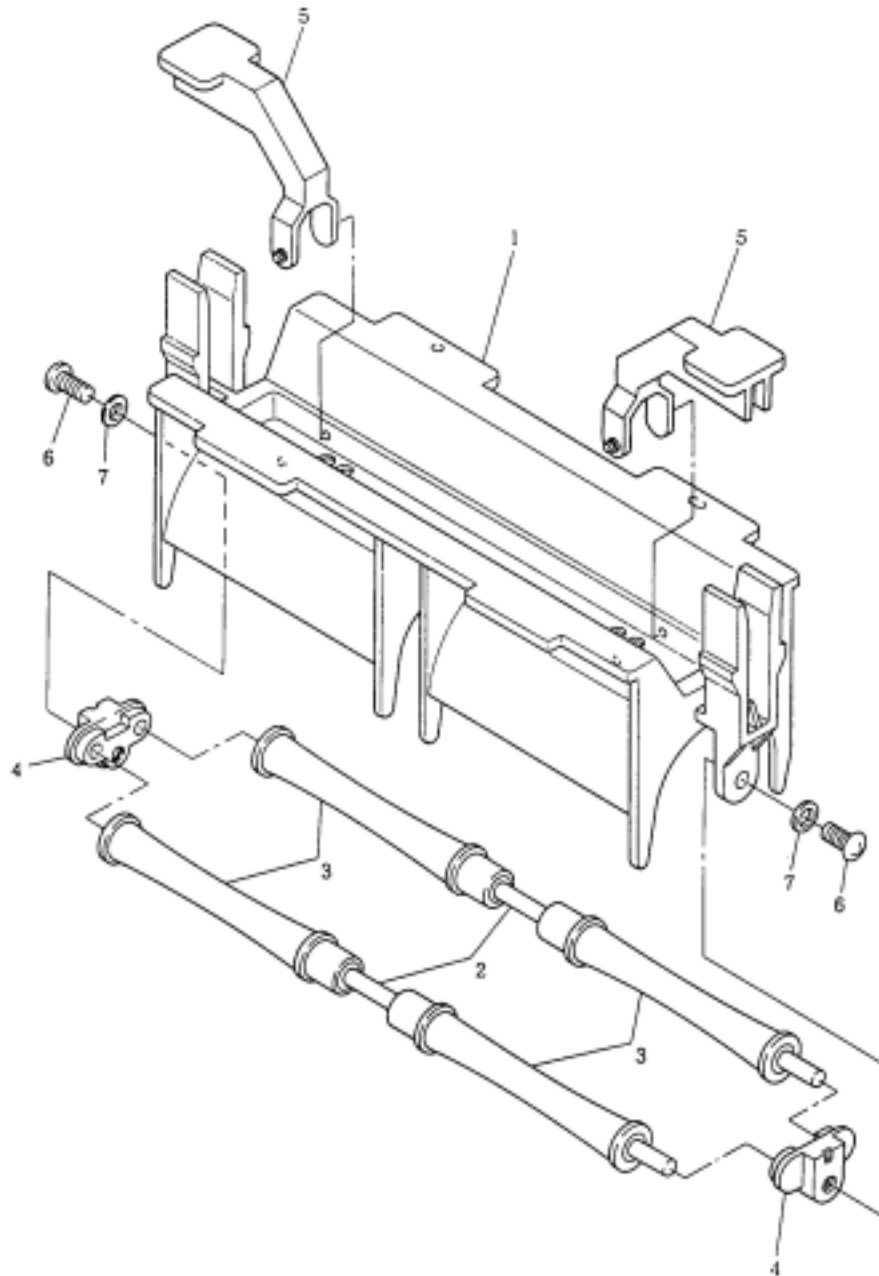
No.	Parts No.	Description	KIS Reference
A	12-A4490	STB-2 Rack Assembly	060 999 510A
1	23-A4424	Frame (Rack Side)	060 999 570A
2	23-A4427-1	Frame (Upper)	060 999 606A
3	23-A4529-1	Guide (Lower Rack)	060 999 585A
4	23-45205-3	Guide (Upper)	060 999 630A
5	23-45298	Cover (Gear)	060 999 870A
6	32-A4502	Holder (Rack) Ø12	060 999 632A
7	32-A4503	Holder (Rack) Ø10	060 999 633A
D	32-45223-2	Gear Set (Idle)	060 999 689A
F	32-45766-1	Roller Set (Lower Turn)	060 999 698A
Q	32-A4472	Roller Set (I/O)	060 999 767A
V	32-A4530	Roller Set (Drive)	060 999 781A



## 320 Processing Rack STB-3 Unit

060 999 528A

No.	Parts No.	Description	KIS Reference
A	12-A4491-1	STB-3 Rack Assembly	060 999 528A
1	23-A4422	Frame A (I/O Rack)	060 999 651A
2	23-A4423	Frame B (I/O Rack)	060 999 652A
3	23-A4426-2	Guide (Upper)	060 999 653A
4	23-A4529-1	Guide (Lower Turn)	060 999 585A
5	23-45205-3	Guide (Upper)	060 999 630A
6	23-45298	Cover (Gear)	060 999 870A
7	43-A4502	Holder (Rack) Ø12	060 999 632A
8	43-A4503	Holder (Rack) Ø10	060 999 633A
B	32-45219	Roller Set (Outlet)	060 999 564A
D	32-45223-2	Gear Set (Idle)	060 999 689A
F	32-45766-1	Roller Set (Lower Turn)	060 999 698A
O	32-A0484	Roller Set (Upper)	060 999 752A
P	32-45459-3	Roller Set (Drive Squeeze)	060 999 756A
Q	32-A4472	Roller Set (I/O)	060 999 767A

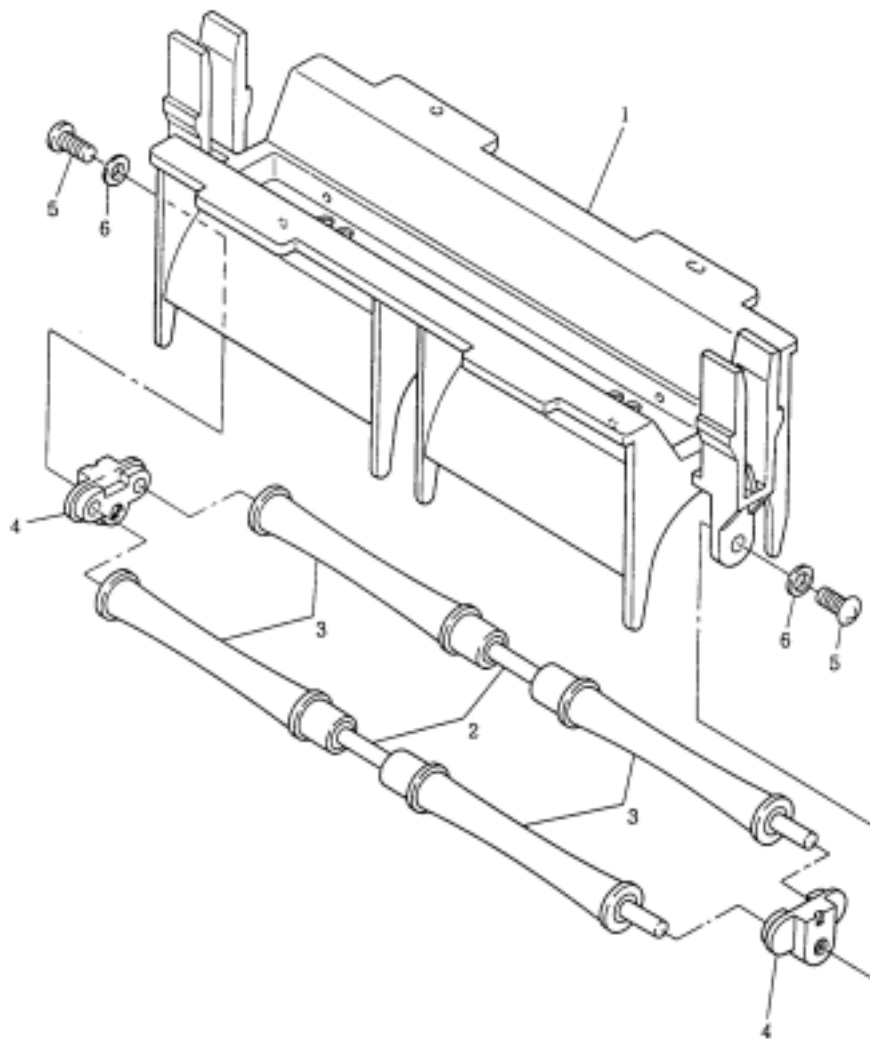




## 330 Crossover Guide Unit II

060 999 512A

No.	Parts No.	Description	KIS Reference
A	22-A4688	Crossover Guide Unit II	060 999 512A
1	23-A4523-2	Crossover Guide II	060 999 678A
2	43-A4524	Shaft (Roller)	060 999 667A
3	42-A4525	Roller (Crossover)	060 999 668A
4	33-A4528	Holder	060 999 675A
5	33-A4634	Hook	060 999 670A



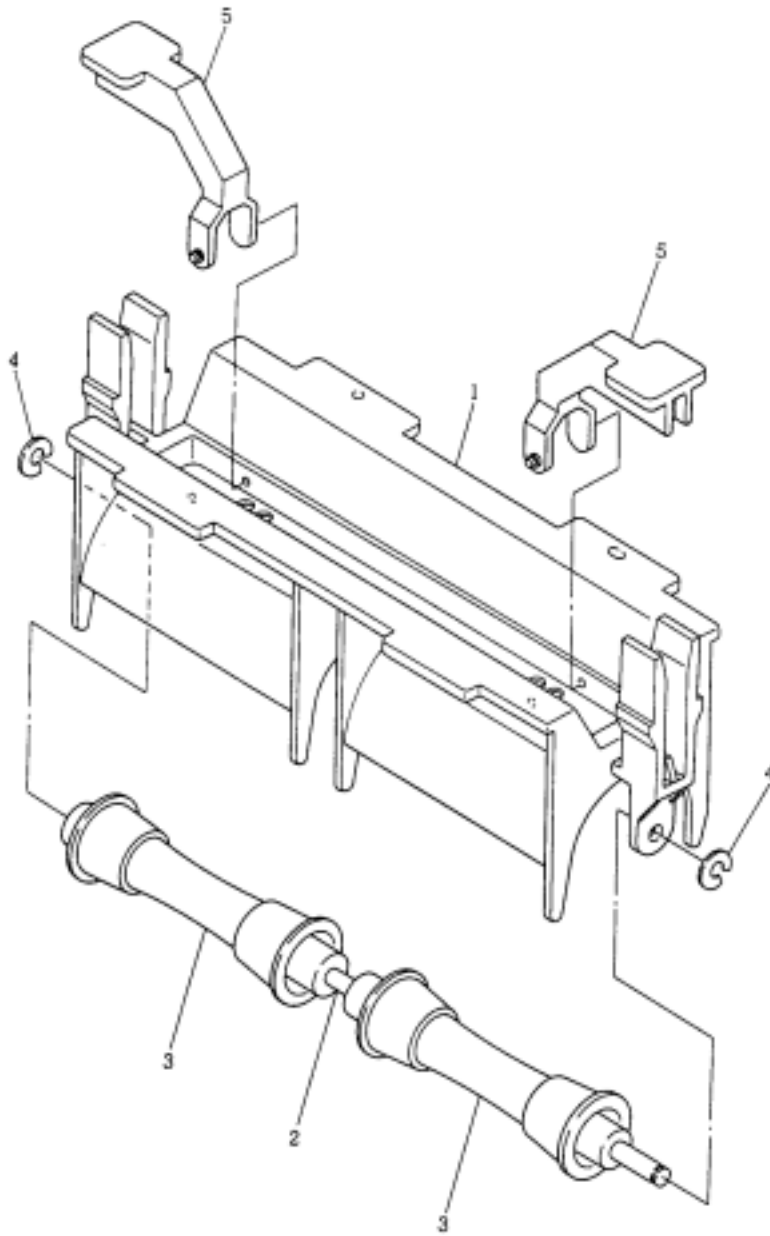
## 340 Crossover Guide Unit II

060 999 513A

No.	Parts No.	Description	KIS Reference
A	22-A4522	Crossover Guide Unit II	060 999 513A
1	23-A4523-2	Crossover Guide II	060 999 678A
2	43-A4527	Shaft (Roller)	060 999 667A
3	42-A4525	Roller (Crossover)	060 999 674A
4	33-A4528	Holder	060 999 668A

# 350 Crossover Guide Unit

# Summary

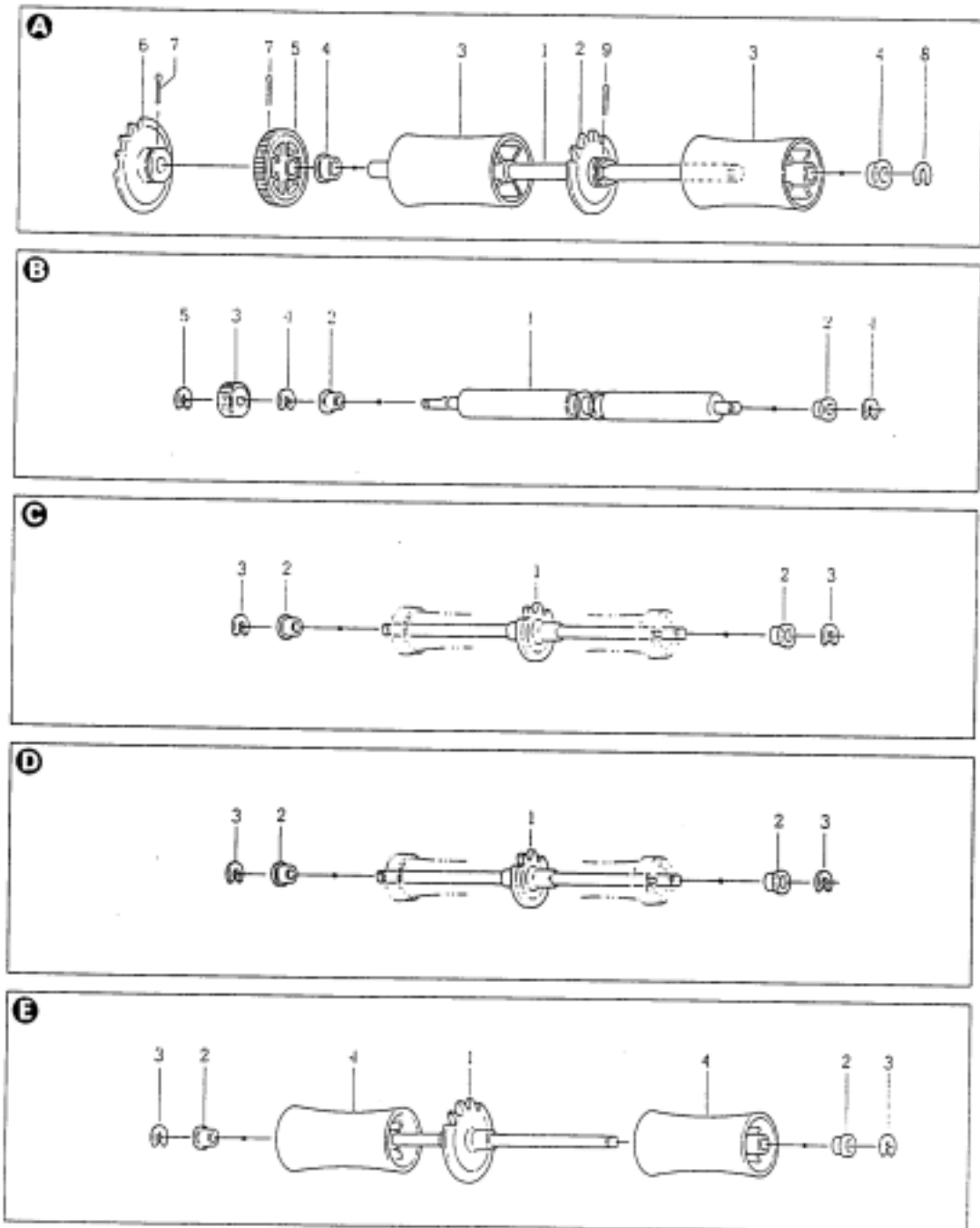


## 350 Crossover Guide Unit

060 999 514A

No.	Parts No.	Description	KIS Reference
A	22-A4635	Crossover Guide Unit II	060 999 514A
1	23-A4523-2	Crossover Guide II	060 999 678A
2	43-A4437	Shaft (Roller)	060 999 753A
3	42-A4429	Roller (Crossover)	060 999 680A
4	43-A0483	Ring (Retaining)	060 999 681A
5	33-A4634	Hook	060 999 682A

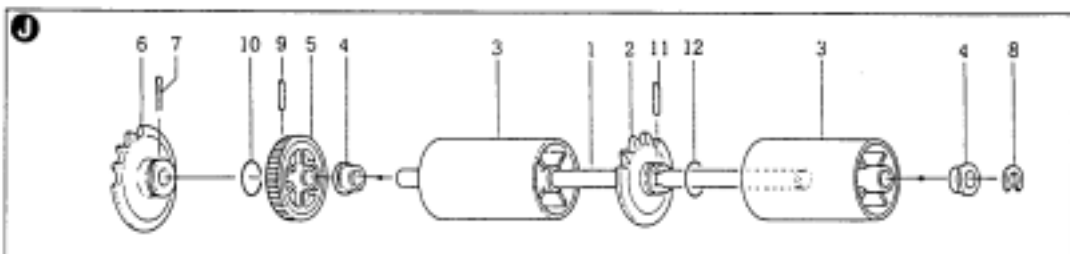
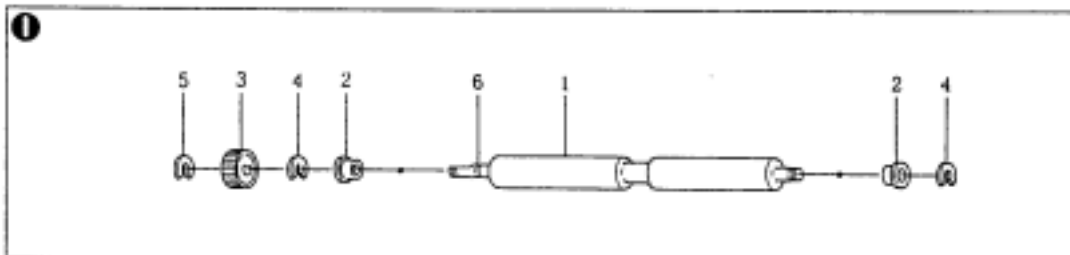
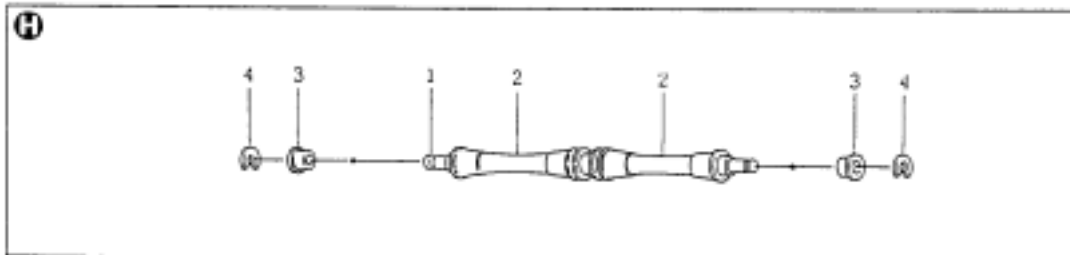
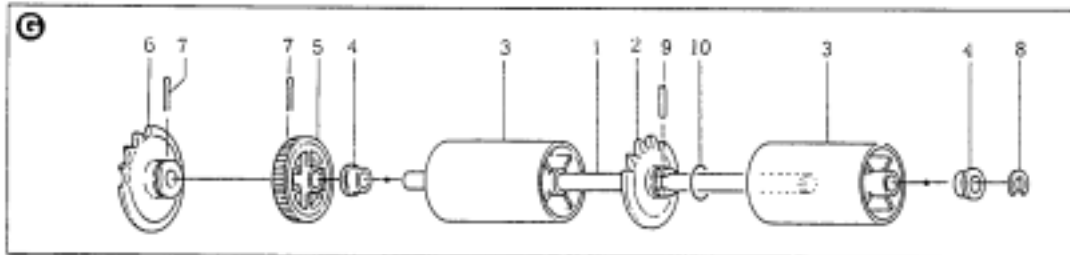
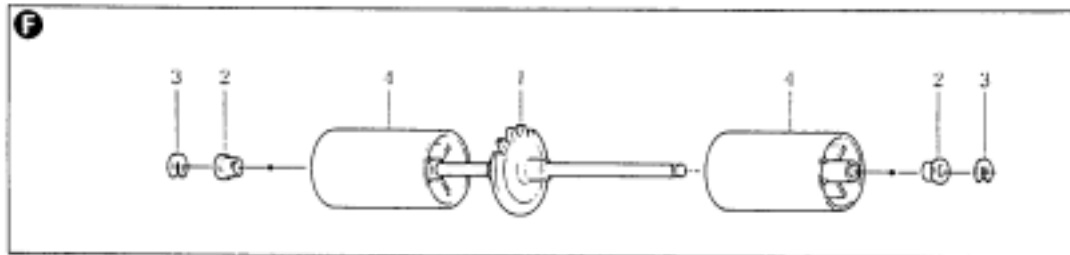
# 360 Processing Rack Roller Assembly (A,B,C,D,E) Summary



### 360 Processing Rack Roller Assembly (A,B,C,D,E)

No.	Parts No.	Description	KIS Reference
A	32-C0515	Roller Set (Drive)	
1	33-45210	Shaft (Drive Roller)	
2	43-A0430	Gear (Center) 15T	
3	33-A4531	Roller	
4	43-45213	Bushing (Metal)	
5	43-45214-1	Gear 25T	
6	43-05076-1	Sprocket 15T	
7	Z72022006	Split Pin $\varnothing$ 2x20	
8	43-85464-1	Ring (Retaining) $\varnothing$ 6	
9	43-A0479	Split Pin	
B	32-45219	Roller Set (Outlet)	060 999 564A
1	33-45220-1	Roller	060 999 684A
2	43-45218-1	Bushing (Metal)	060 999 249A
3	43-25020	Gear 10T	060 999 777A
4	43-08538-2	Ring (Retaining) $\varnothing$ 5	060 999 723A
5	43-25022-2	Ring (Retaining) $\varnothing$ 4	060 999 688A
C	32-A0427	Gear Set (Idle)	
1	33-A0431	Gear (Idle) 9T	
2	43-45218	Bushing (Metal)	
3	43-08538-2	Ring (Retaining) $\varnothing$ 5	
D	32-45223-2	Gear Set (Idle)	060 999 689A
1	33-45224-4	Gear (Idle) 9T	060 999 921A
2	43-45218-1	Bushing (Metal)	060 999 249A
3	43-08538-2	Ring (Retaining) $\varnothing$ 5	060 999 723A
E	32-45225-1	Gear Set (Feed)	060 999 693A
1	33-45226-1	Gear (Feed)	060 999 915A
2	43-45218-1	Bushing (Metal)	060 999 249A
3	43-08538-2	Ring (Retaining) $\varnothing$ 5	060 999 723A
4	33-45227	Roller	060 999 746A

# 370 Processing Rack Roller Assembly (F,G,H,I,J) Summary



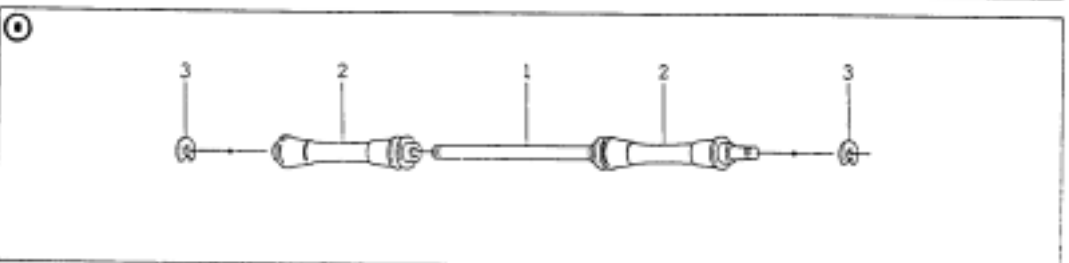
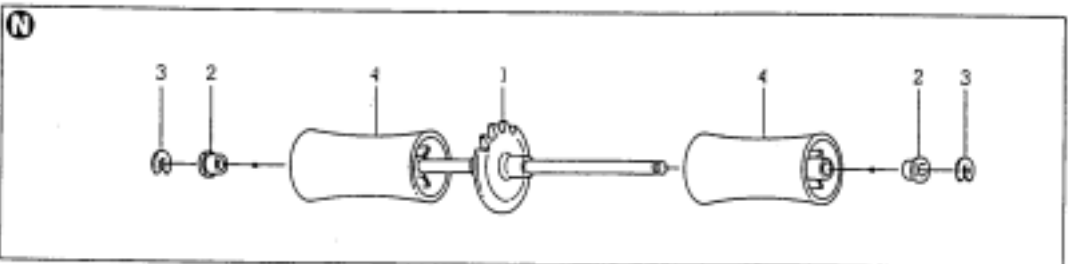
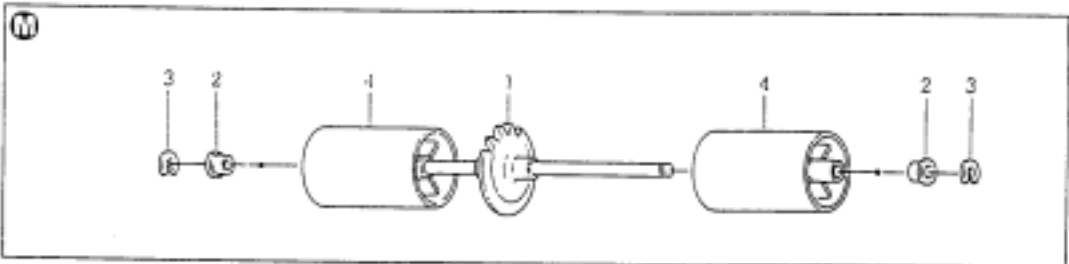
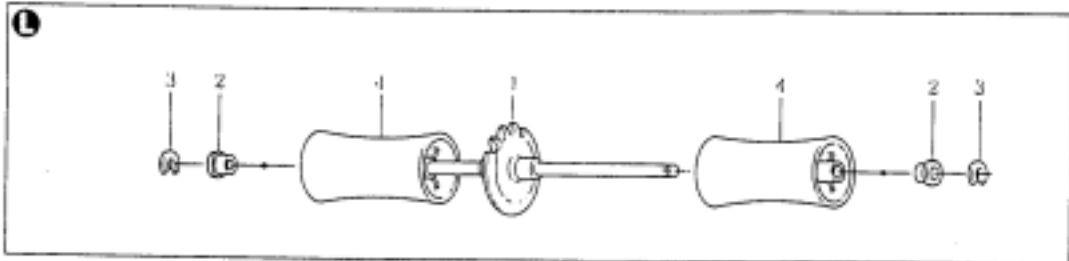
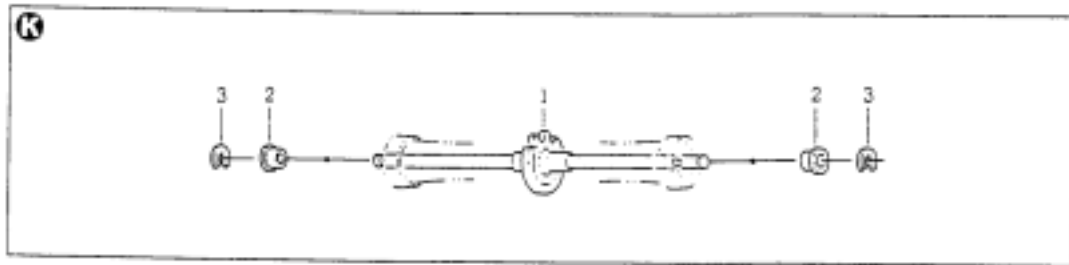


### 370 Processing Rack Roller Assembly (F,G,H,I,J)

No.	Parts No.	Description	KIS Reference
F	32-45766-1	Roller Set (Lower Turn)	060 999 698A
1	33-45226-1	Gear (Feed)	060 999 915A
2	43-45218-1	Bushing (Metal)	060 999 249A
3	43-08538-2	Ring (Retaining) Ø 5	060 999 723A
4	43-45767-1	Roller (Lower Turn)	060 999 702A
G	32-65160-2	Roller Set (Drive)	060 999 703A
1	33-45210	Shaft (Drive Roller)	060 999 757A
2	43-45211-2	Gear (Center) 15T	060 999 906A
3	43-65832-2	Roller (Drive)	060 999 706A
4	43-45213	Bushing (Metal)	060 999 904A
5	43-45214-1	Gear 25T	060 999 905A
6	43-05076-1	Sprocket 15T	060 999 907A
7	Z72022006	Split Pin Ø 2x20	060 999 951A
8	43-85464-1	Ring (Retaining) Ø 6	060 999 764A
9	43-A0481-1	Pin Ø 2x11.5	060 999 911A
10	ZZORJA1014E	O-Ring JASO 1014	060 999 713A
H	32-A4469	Roller Set (Inlet)	060 999 539A
1	33-45222	Shaft (Roller)	060 999 715A
2	43-A4432	Roller	060 999 716A
3	43-45218-1	Bushing (Metal)	060 999 249A
4	43-08538-2	Ring (Retaining)	060 999 723A
I	32-C0555	Roller Set (Outlet)	060 999 719A
1	33-C0520	Roller	060 999 720A
2	43-45218-1	Bushing (Metal)	060 999 249A
3	43-25020	Gear 10T	060 999 777A
4	43-08538-2	Ring (Retaining) Ø 5	060 999 723A
5	43-25022-2	Ring (Retaining) Ø 4	060 999 688A
6	43-45238	Shaft (Roller)	060 999
J	32-65161-2	Roller Set (Drive)	060 999 725A
1	33-45236	Shaft (Drive Roller)	060 999 726A
2	43-45211-2	Gear (Center) 15T	060 999 906A
3	43-65832-2	Roller (Drive)	060 999 706A
4	43-45213	Bushing (Metal)	060 999 904A
5	43-45214-1	Gear 25T	060 999 905A
6	43-05076-1	Sprocket 15T	060 999 907A
7	Z72022006	Split Pin Ø 2x20	060 999 732A
8	43-85464-1	Ring (Retaining) Ø 6	060 999 764A
9	43-A0480	Pin Ø 2x11.5	060 999 950A
10	ZZORP0110E	O-Ring P-11	060 999 735A
11	43-A0482	Pin Ø 2x14	060 999 911A
12	ZZORJA1014E	O-Ring JASO 1014	060 999 713A

# 380 Processing Rack Roller Assembly (K,L,M,N,O)

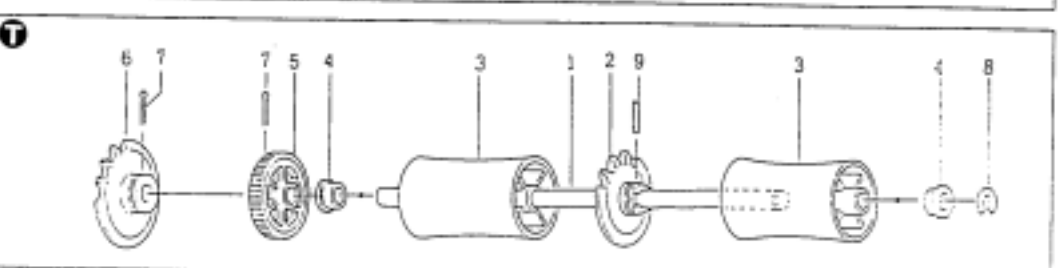
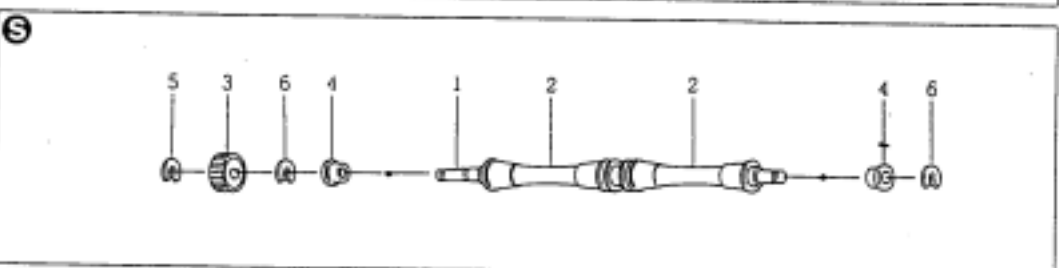
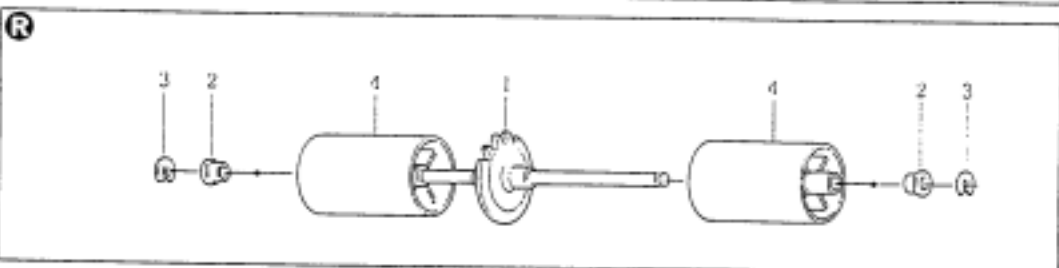
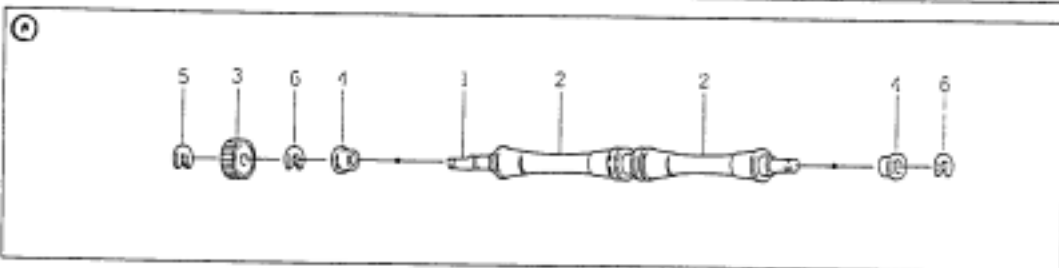
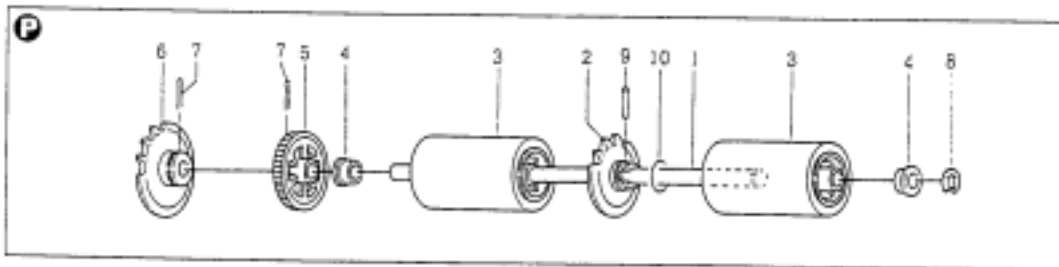
## Summary



### 380 Processing Rack Roller Assembly (K,L,M,N,O)

No.	Parts No.	Description	KIS Reference
K	32-45446-2	Gear Set (Idle)	060 999 738A
1	33-45447-3	Gear (Idle) 9T	060 999 739A
2	43-45218-1	Bushing (Metal)	060 999 249A
3	43-08538-2	Ring (Retaining) Ø 5	060 999 723A
L	32-45448-1	Gear Set (Feed)	060 999 742A
1	33-45449-1	Gear (Feed) 15T	060 999 743A
2	43-45218-1	Bushing (Metal)	060 999 249A
3	43-08538-2	Ring (Retaining) Ø 5	060 999 723A
4	33-45227	Roller	060 999 746A
M	32-45768-1	Roller Set (Lower Turn)	060 999 747A
1	33-45449-1	Gear (Feed) 15T	060 999 743A
2	43-45218-1	Bushing (Metal)	060 999 249A
3	43-08538-2	Ring (Retaining) Ø 5	060 999 723A
4	43-45767-1	Roller (Lower Turn)	060 999 702A
N	32-A0428	Gear Set (Feed)	
1	33-A0432	Gear (Feed)	
2	43-45218-1	Bushing (Metal)	060 999 249A
3	43-08538-2	Ring (Retaining) Ø 5	060 999 723A
4	33-45227	Roller	060 999 746A
O	32-A0484	Roller Set (Upper)	060 999 752A
1	43-A4437	Shaft (Upper Roller)	060 999 753A
2	32-A4467	Roller (Upper))	060 999 754A
3	43-A0483	Ring (Retaining) Ø 3	060 999 681A

# 390 Processing Rack Roller Assembly (P,Q,R,S,T) Summary

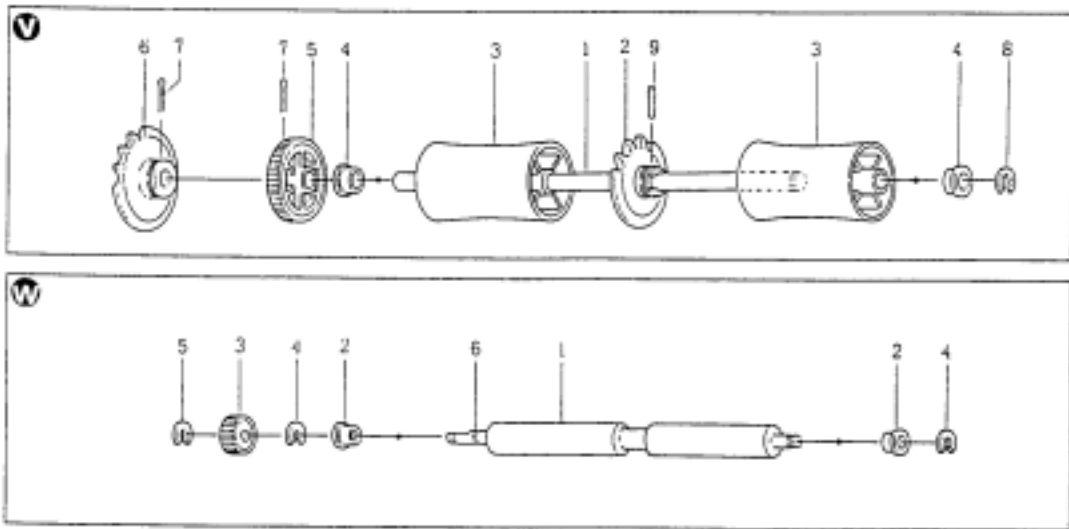


### 390 Processing Rack Roller Assembly (P,Q,R,S,T)

No.	Parts No.	Description	KIS Reference
P	32-45459-3	Roller Set (Drive)	060 999 756A
1	33-45210	Shaft (Drive Roller)	060 999 757A
2	43-45211-2	Gear (Center) 15T	060 999 906A
3	43-65230	Roller (Squeeze)	060 999 759A
4	43-45213	Bushing (Metal)	060 999 904A
5	43-45214-1	Gear 25T	060 999 905A
6	43-05076-1	Sprocket 15T	060 999 907A
7	Z72022006	Split Pin $\varnothing$ 2x20	060 999 951A
8	43-85464-1	Ring (Retaining) $\varnothing$ 6	060 999 764A
9	43-A0481	Pin $\varnothing$ 2x14	060 999 911A
10	ZZORJA1014E	O-Ring JASO 1014	060 999 713A
Q	32-A4472	Roller Set (I/O)	060 999 767A
1	43-45217	Shaft (Roller)	060 999 768A
2	33-A4432	Roller	060 999 776A
3	43-25020	Gear 10T	060 999 777A
4	43-45218-1	Bushing (Metal)	060 999 249A
5	43-25022-2	Ring (Retaining) $\varnothing$ 4	060 999 688A
6	43-08538-2	Ring (Retaining) $\varnothing$ 5	060 999 723A
R	32-A0429	Roller Set (Lower Turn)	
1	33-A0432	Gear (Feed)	
2	43-45218-1	Bushing (Metal)	060 999 249A
3	43-08538-2	Ring (Retaining) $\varnothing$ 5	060 999 723A
4	43-45767-1	Roller (Lower Turn)	
S	32-A4473	Roller Set (I/O)	060 999 774A
1	33-45238	Shaft (Roller)	060 999 775A
2	33-A4432	Roller	060 999 776A
3	43-25020	Gear 10T	060 999 777A
4	43-45218-1	Bushing (Metal)	060 999 249A
5	43-25022-2	Ring (Retaining) $\varnothing$ 4	060 999 688A
6	43-08538-2	Ring (Retaining) $\varnothing$ 5	060 999 723A
T	32-A0426-1	Roller Set (Drive)	
1	33-45210	Shaft (Drive Roller)	
2	43-A0430	Gear (Center) 15T	
3	43-65832-2	Roller (Drive)	
4	43-45213	Bushing (Metal)	
5	43-45214-1	Gear 25T	060 999 905A
6	43-05076-1	Sprocket 15T	
7	Z72022006	Split Pin $\varnothing$ 2x20	
8	43-85464-1	Ring (Retaining) $\varnothing$ 6	060 999 764A
9	43-A0479	Split Pin	

# 400 Processing Rack Roller Assembly (V,W)

## Summary

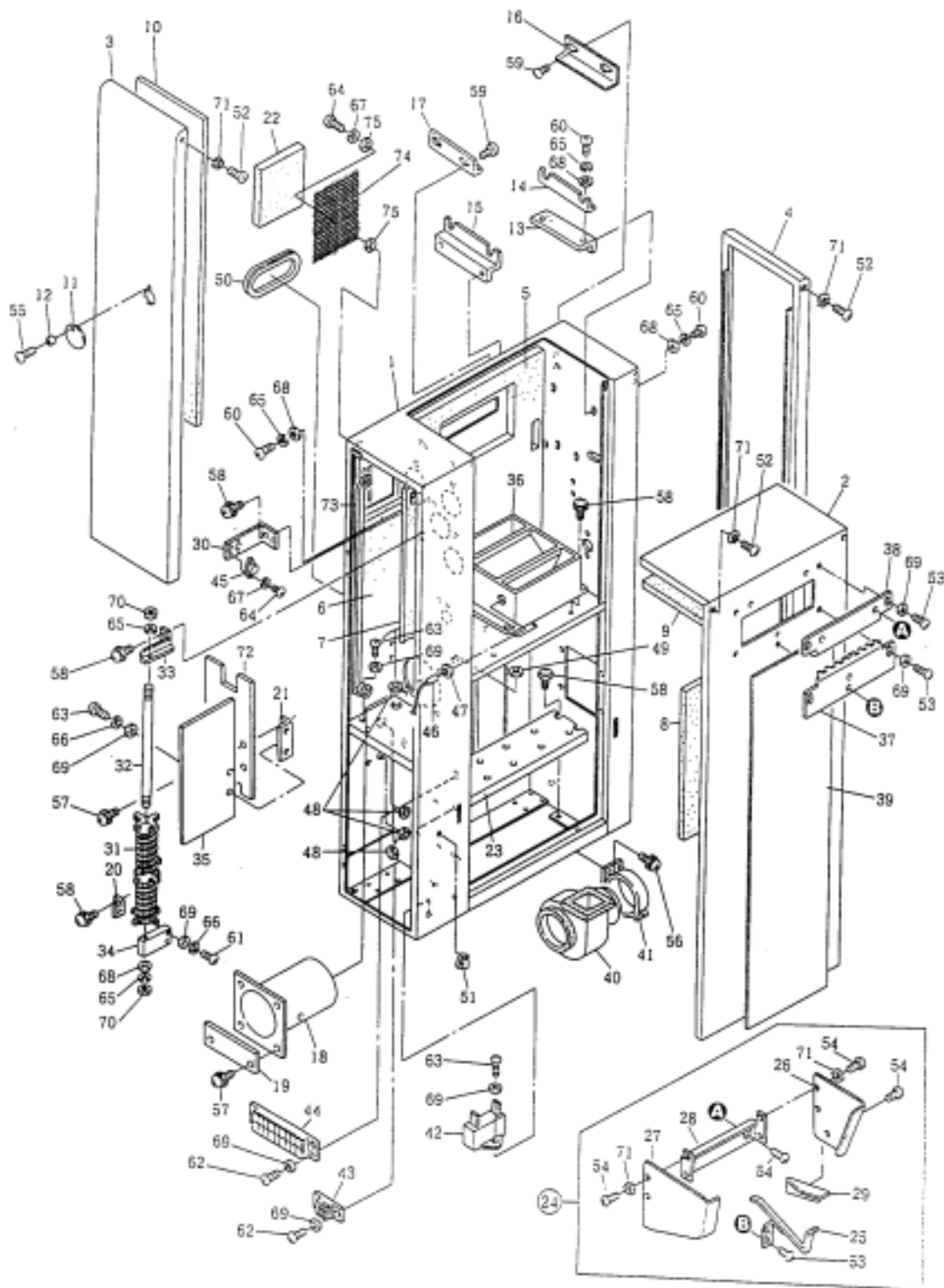


## 400 Processing Rack Roller Assembly (V,W)

No.	Parts No.	Description	KIS Reference
V	32-A4530	Roller Set (Drive)	060 999 047A
1	33-45210	Shaft (Drive Roller)	060 999 757A
2	43-45211-2	Gear (Center) 15T	060 999 906+705B
3	33-A4531	Roller	060 999 784A
4	43-45213	Bushing (Metal)	060 999 904A
5	43-45214-1	Gear 25T	060 999 905A
6	43-05076-1	Sprocket 15T	060 999 907A
7	Z72022006	Split Pin Ø2x20	060 999 951A
8	43-85464-1	Ring (Retaining) Ø 6	060 999 789A
9	43-A0481	Split Pin	060 999 911A+712B
10	ZZORJA1014E	O-Ring JASO 1014	060 999 713A
W	32-C0554	Roller Set (Outlet)	
1	33-C0520	Roller	
2	43-45218	Bushing (Metal)	060 999 249A
3	43-25020	Gear 10T	060 999 777A
4	43-08538-2	Ring (Retaining) Ø 5	060 999 723A
5	43-25022-2	Ring (Retaining) Ø 4	060 999 688A
6	43-45217	Shaft (Roller)	

# 410 Dryer Section

# Summary





## 410 Dryer Section

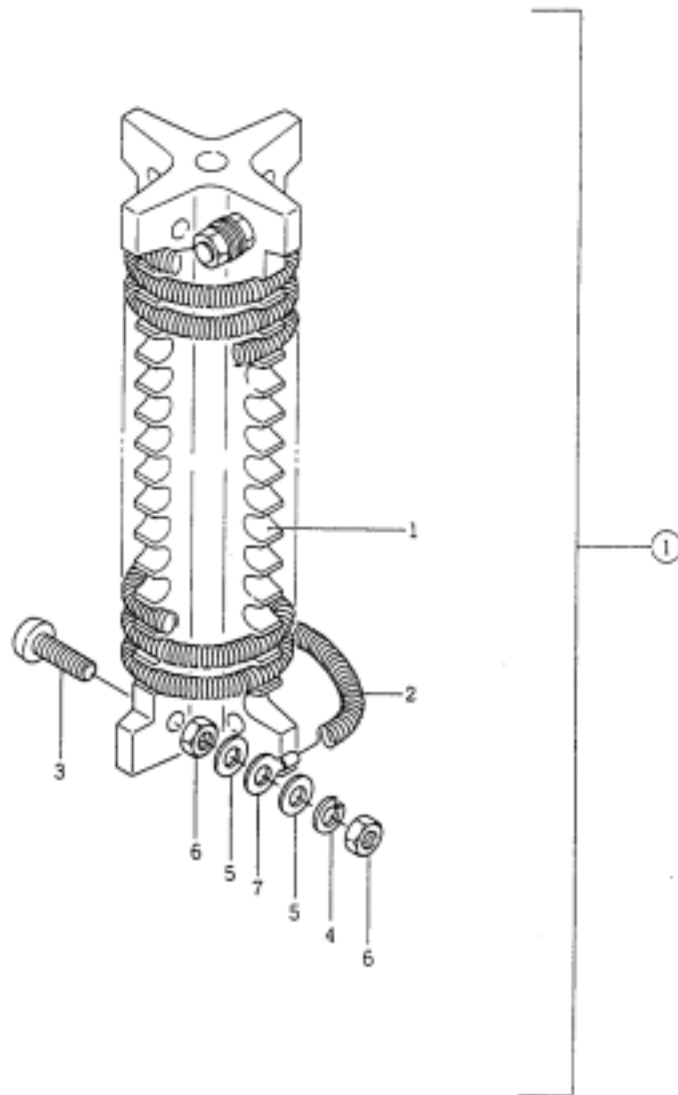
060 999 048A

No.	Parts No.	Description	KIS Reference
1	32-C0304	Frame (Dryer)	060 999 792A
2	32-C0306	Cover (Rear)	060 999 793A
3	32-C0308	Cover (Right)	060 999 794A
4	23-C0311	Cover (Left)	060 999 795A
5	33-A6637	Adiabatic Pad	060 999 796A
6	33-A6638	Adiabatic Pad	060 999 797A
7	33-A6639	Adiabatic Pad	060 999 798A
8	43-A6642	Adiabatic Pad	060 999 799A
9	43-A0014	Adiabatic Pad	060 999 800A
10	33-A6647-1	Adiabatic Pad	060 999 801A
11	43-C0310	Cover	060 999 802A
12	ZMEER2	Spacer ER-2	060 999 803A
13	43-45666	Angle A (Holder)	060 999 804A
14	43-45933-1	Holder B (Rack)	060 999 805A
15	43-45934-1	Holder (Rack)	060 999 806A
16	43-45669	Angle (Rack, Retaining)	060 999 807A
17	43-65207	Angle (Rack, Retaining)	060 999 808A
18	33-C0312	Duct	060 999 809A
19	43-A0008	Plate	060 999 810A
20	43-45678	Bracket B	060 999 811A
21	43-A7448	Bracket	060 999 812A
22	43-A0015	Filter	060 999 813A
23	33-A3315-2	Base	060 999 814A
24	22-C0314	Hanger Set (Short Leader)	060 999 815A
25	33-A4447-1	Hanger (Short Leader)	060 999 816A
26	23-C0315	Guide (Outlet Left)	060 999 817A
27	23-C0316	Guide (Outlet Right)	060 999 818A
28	33-C0317	Bracket (Guide)	060 999 819A
29	33-A5150-2	Guide	060 999 820A
30	43-A4037	Holder (Bimetal)	060 999 821A
31	32-A4255	Heater Assembly	060 999 846A
32	43-A0032	Stay	060 999 823A
33	43-45674	Bracket A	060 999 824A
34	43-45679-2	Adiabatic Plate	060 999 825A
35	43-A5149-1	Adiabatic Plate	060 999 826A
36	13-A3341	Air Duct	060 999 827A
37	33-55267-3	Guide (Film Outlet)	060 999 828A
38	33-55268-2	Guide (Film Outlet)	060 999 829A
39	43-A6643	Cloth	060 999 830A
40	32-A8821	Fan	060 999 831A

## 410 Dryer Section

060 999 048A

No.	Parts No.	Description	KIS Reference
41	ZOMPAS4B	Bracket (Fan) PAS4B	060 999 832A
42	ZOMCH30BUL	Condenser CH30BUL	060 999 833A
43	42-E1929	Terminal	060 999 834A
44	42-E1928	Terminal	060 999 835A
45	ZEW2455RC082302	Bimetal 2455RC-082-302	060 999 836A
46	ZID502AT2	Sensor 502AT-2	060 999 837A
47	ZKIKF21	Code Lock KF-21	060 999 838A
48	ZHESB75010	Bushing SB-750-10	060 999 839A
49	ZHESB3753	Bushing SB-375-3	060 999 840A
50	ZKICSG12	Bushing CSG012	060 999 841A
51	ZKICKS20L	Clamp CKS-20-L	060 999 842A
72	33-A5152-1	Adiabatic Plate	060 999 843A
73	33-A5153	Reflector	060 999 844A
74	43-A3361-1	Net	060 999 845A



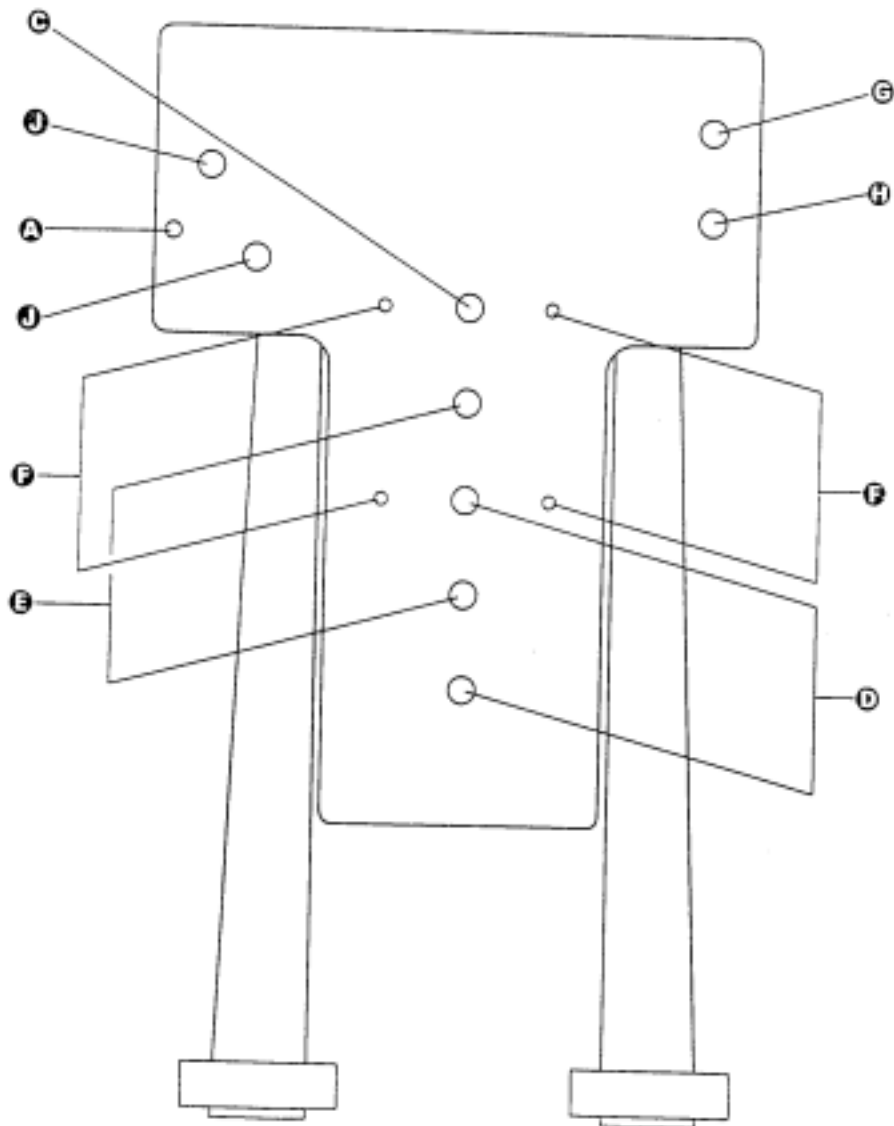
## 420 Heater Set

060 999 846A

No.	Parts No.	Description	KIS Reference
A	32-A4255	Heater Set	060 999 846A
1	43-Z5001	Bobbin Ø57x160	060 999 847A
2	43-A4256	Dryer Heater AC240V 1.25KW	060 999 848A
7	ZNLR1254	Terminal	

# 430 Dryer Rack Roller Layout

# Summary



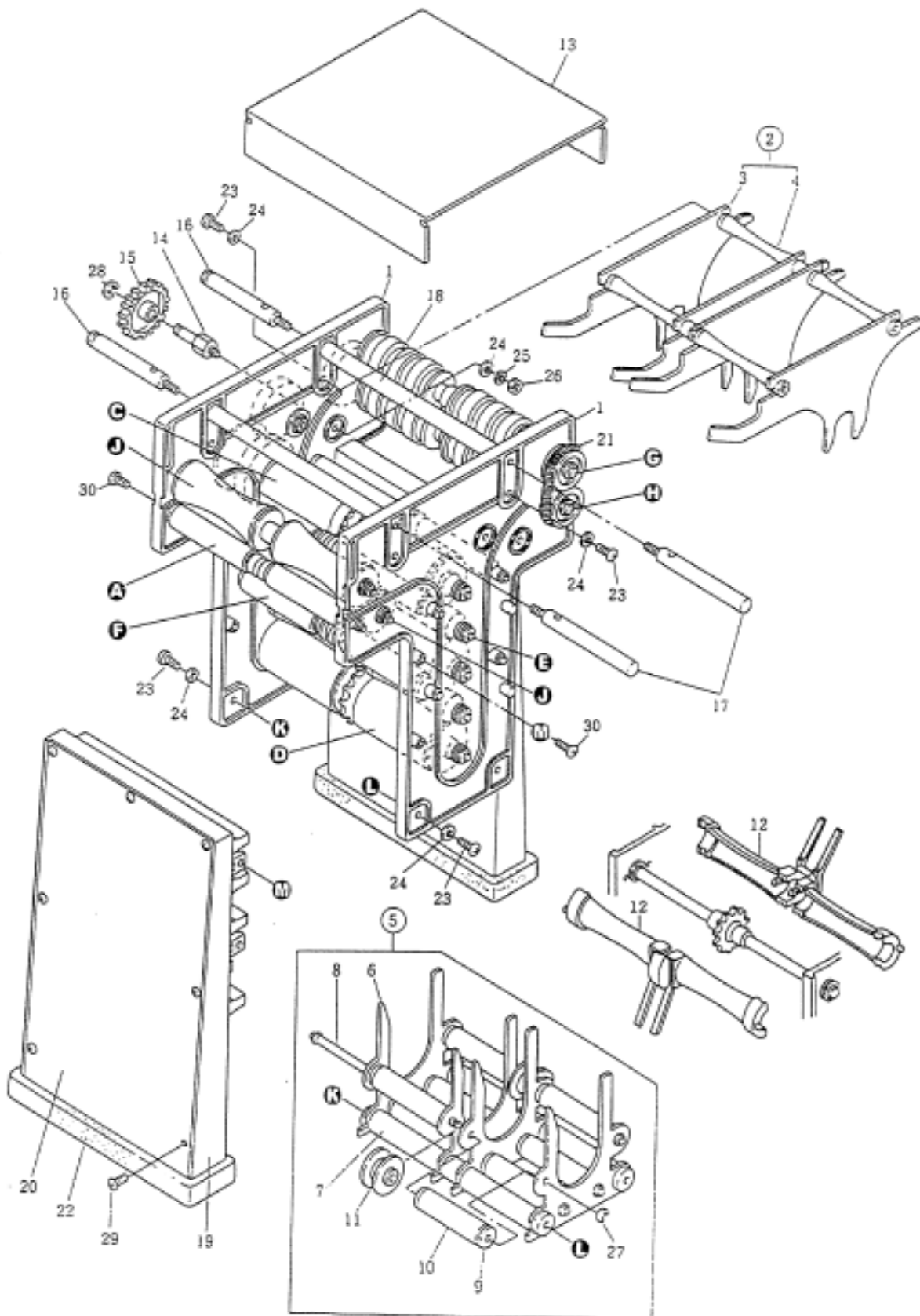
## 430 Dryer Rack Roller Layout

060 999 050A

No.	Parts No.	Description	KIS Reference
A	32-65182	Roller Set (Squeeze)	060 999 892A
C	32-A7462	Roller Set (Drive)	060 999 902A
D	32-45688-1	Gear Set (Feed)	060 999 886A
E	32-45611-3	Gear Set (Idle)	060 999 888A
F	32-45690-2	Roller Set (Side)	060 999 930A
G	32-65186	Roller Set (Outlet)	060 999 890A
H	32-65185	Roller Set (Outlet)	060 999 856A
J	32-65180-1	Roller Set (Squeeze)	060 999 952A

# 440 Dryer Rack

# Summary



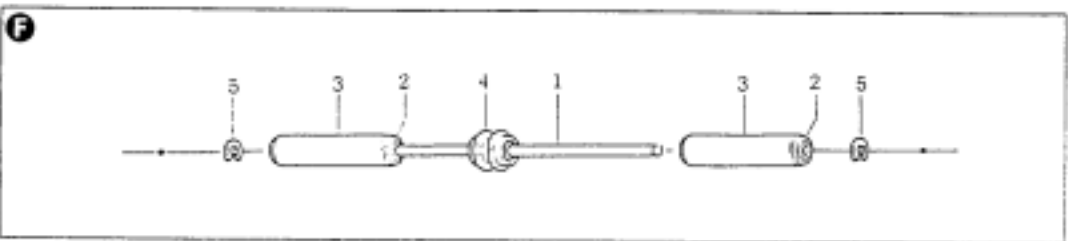
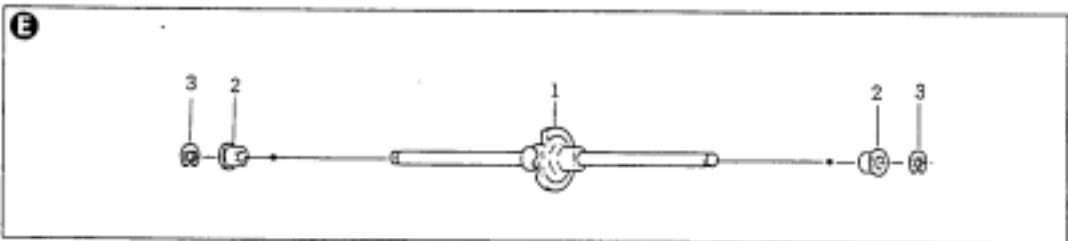
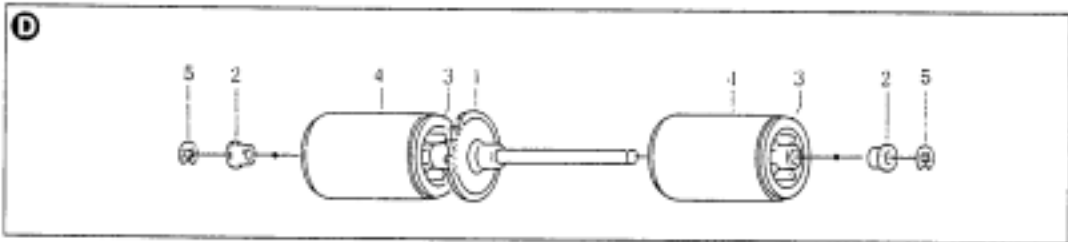
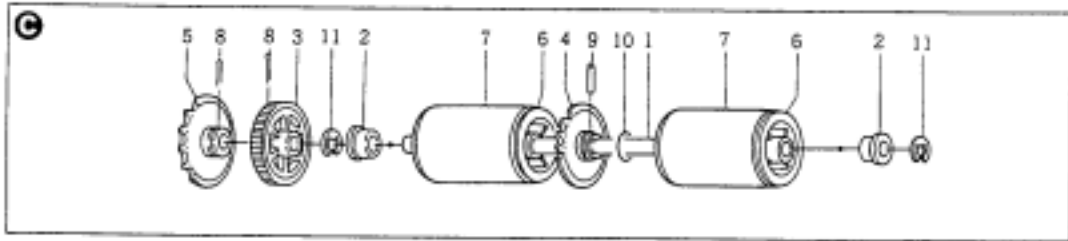
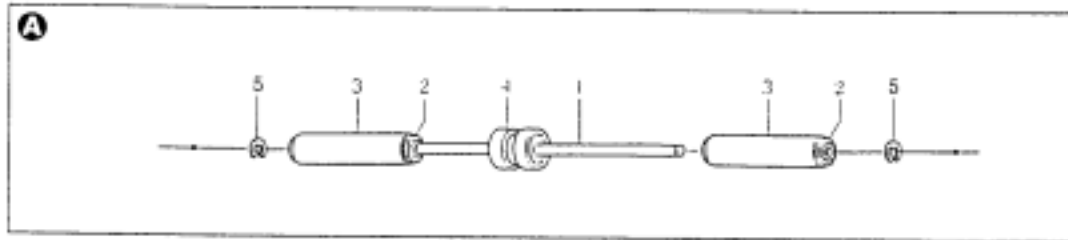
## 440 Dryer Rack

060 999 051A

No.	Parts No.	Description	KIS Reference
A	22-A7461-1	Dryer Rack Unit	060 999 051A
1	13-A0018	Frame (Rack Side)	060 999 859A
2	32-A0021	Upper Guide Set	060 999 860A
3	33-A0022	Guide (Inlet)	060 999 861A
4	43-A0023	Shaft (Guide)	060 999 862A
5	32-A0024	Lower Turn Guide Assembly	060 999 863A
6	33-A0025	Guide (Lower Turn)	060 999 864A
7	33-A0026	Shaft (Guide)	060 999 865A
8	43-45618	Shaft	060 999 866A
9	33-25582	Roller (Side)	060 999 894A
10	43-19432	Tube	060 999 868A
11	43-55264-1	Roller	060 999 869A
12	23-45298	Cover (Gear)	060 999 870A
13	33-65208	Plate	060 999 871A
14	43-65188	Shaft (Idle)	060 999 872A
15	43-45214-1	Gear (Idle) 25T	060 999 905A
16	43-65189	Holder (Rack) Ø12	060 999 874A
17	43-65190	Holder (Rack) Ø10	060 999 875A
18	43-55582	Shaft (Span)	060 999 876A
19	13-A0028-1	Air Duct	060 999 877A
20	33-A0029-1	Cover (Air Duct)	060 999 878A
21	43-45999	Spring	060 999 879A
22	43-A0027	Sponge (Light shield)	060 999 880A
27	Z67040004	E-Ring E-4	060 999 881A
28	Z67060004	E-Ring E-6	060 999 882A
A	32-65182	Roller Set (Squeeze)	060 999 892A
C	32-A7462	Roller Set (Drive)	060 999 902A
D	32-45688-1	Gear Set (Feed)	060 999 886A
E	32-45611-3	Gear Set (Idle)	060 999 888A
F	32-45690-2	Roller Set (Side)	060 999 930A
G	32-65186	Roller Set (Outlet)	060 999 890A
H	32-65185	Roller Set (Outlet)	060 999 856A
J	32-65180-1	Roller Set (Squeeze)	060 999 952A



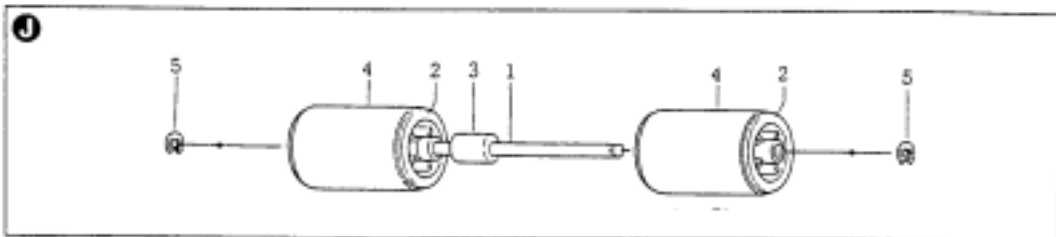
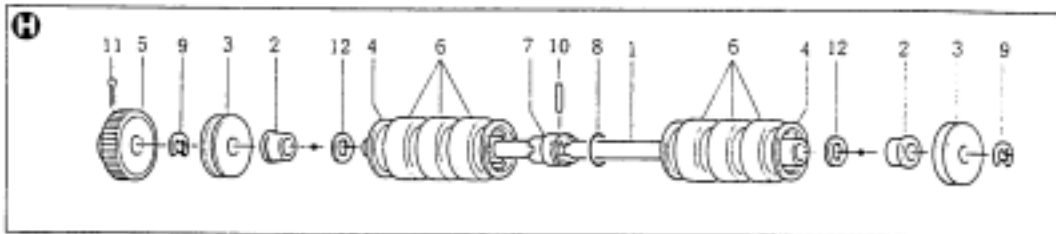
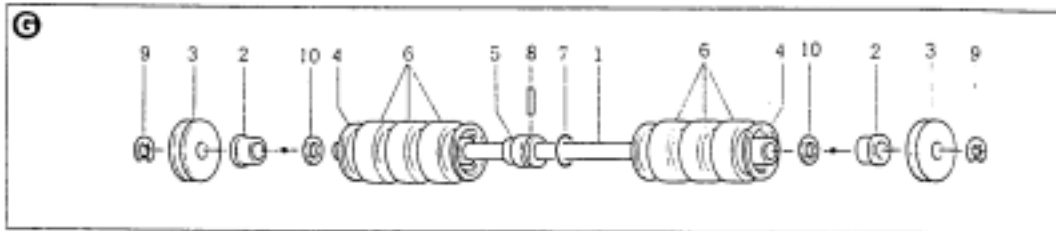
# 450 Dryer Rack Roller Assembly (A,C,D,E,F) Summary



## 450 Dryer Rack Roller Assembly (A,C,D,E,F)

No.	Parts No.	Description	KIS Reference
A	32-65182	Roller Set (Squeeze)	060 999 892A
1	43-45691-1	Shaft (Roller)	060 999 895A
2	33-25582	Roller (Side)	060 999 894A
3	43-19432	Tube (Roller)	060 999 868A
4	43-55250	Collar (Center)	060 999 896A
5	Z67040004	E-Ring E-4	060 999 881A
C	32-A7462	Roller Set (Drive)	060 999 902A
1	33-65184	Shaft (Drive)	060 999 903A
2	43-45213	Bushing (Metal)	060 999 904A
3	43-45214-1	Gear 25T	060 999 905A
4	43-45211-2	Gear (Center) 15T	060 999 906A
5	43-05076-1	Sprocket 15T	060 999 907A
6	43-45212-2	Roller (Drive)	060 999 908A
7	43-45337	Tube (Sponge)	060 999 909A
8	Z72022006	Split Pin Ø2x20	060 999 910A
9	43-A0481	Pin Ø2x14	060 999 911A
10	ZZORJA1014E	O-Ring JASO 1014	060 999 912A
11	Z67060004	E-Ring E-6	060 999 882A
D	32-45688-1	Gear Set (Feed)	060 999 886A
1	33-45226-1	Gear (Feed)	060 999 915A
2	43-45218-1	Bushing (Metal)	060 999 922A
3	43-45689	Roller	060 999 917A
4	43-45337	Tube (Sponge)	060 999 918A
5	Z67050004	E-Ring E-5	060 999 919A
E	32-45611-3	Gear Set (Idle)	060 999 888A
1	33-45224-4	Gear (Idle) 9T	060 999 921A
2	43-45218-1	Bushing (Metal)	060 999 922A
3	Z67050004	E-Ring E-5	060 999 919A
F	32-45690-2	Roller Set (Side)	060 999 930A
1	43-45691-1	Shaft (Roller)	060 999 925A
2	33-25582	Roller (Side)	060 999 894A
3	43-19432	Tube	060 999 868A
4	43-45367-1	Roller (Center)	060 999 928A
5	Z67040004	E-Ring E-4	060 999 881A

# 460 Dryer Rack Roller Assembly (G,H,J) Summary

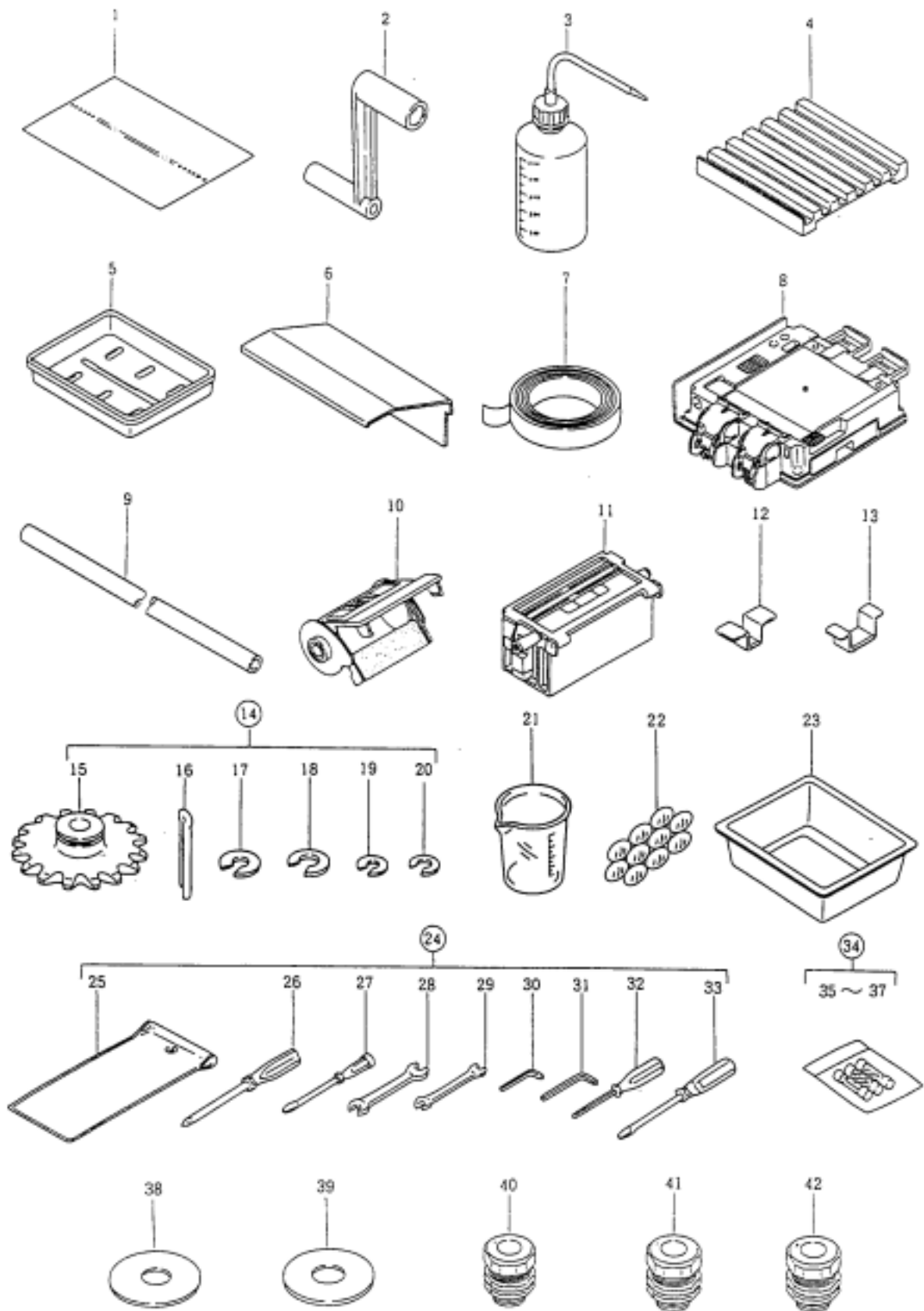


## 460 Dryer Rack Roller Assembly (G,H,J)

No.	Parts No.	Description	KIS Reference
G	32-65186	Roller Set (Outlet)	060 999 890A
1	43-45694-1	Shaft	060 999 931A
2	43-85505-2	Bushing (Metal)	060 999 932A
3	43-85467-3	Spring Metal	060 999 933A
4	33-55254-1	Roller	060 999 934A
5	43-55258	Collar (center)	060 999 935A
6	43-55255	Tube (Sponge)	060 999 946A
7	ZZORP0110E	O-Ring P-11	060 999 937A
8	43-A0480	Pin Ø2x11.5	060 999 938A
9	Z67060004	E-Ring E-6	060 999 882A
H	32-65185	Roller Set (Outlet)	060 999 856A
1	43-55485-1	Shaft (Roller)	060 999 941A
2	43-45213	Bushing (Metal)	060 999 942A
3	43-85467-3	Spring Metal	060 999 943A
4	43-55254-1	Roller	060 999 944A
5	43-25015-1	Gear 20T	060 999 945A
6	43-55255	Tube (Sponge)	060 999 946A
7	43-25577	Collar (Center)	060 999 947A
8	ZZORP0110E	O-Ring P-11	060 999 937A
9	Z67060004	E-Ring E-6	060 999 882A
10	43-A0480	Pin Ø2x11.5	060 999 950A
11	Z72022006	Split Pin Ø2x20	060 999 951A
J	32-65180-1	Roller Set (Squeeze)	060 999 952A
1	43-65181	Shaft (Squeeze Roller)	060 999 899A
2	43-65196	Roller (Squeeze)	060 999 954A
3	43-55248	Spacer	060 999 955A
4	4319431	Tube	060 999 956A
5	Z6706004	E-Ring E-4	060 999 882A

# 470 Accessories

# Summary



## 470 Accessories

060 999 055A

No.	Parts No.	Description	KIS Reference
1	33-45440-2	Short Leader	980 904 021A
2	33-A7036-1	Handle (Manual Crank)	
3	43-65586	Wash Bottle	
4	22-45478-1	Base (Tape Cutter)	
5	43-Z0021	Vat	
6	33-A4285	Splash Guard	
7	43-Z0010	Splice Tape (W25x66m)	
8	12-A3059	Film Splicer Set	
9	43-55544	Vinyl Hose (Ø17xØ22x1.5m)	
10	32-A0193	Control strip Magazine	
11	32-55095-1	120 Film Magazine	060 999 614A
12	42-55899	126 Film Attachment	
13	42-55898	110 Film Attachment	
14	42-A5199	Spare Parts Set	
15	43-05076-1	Sprocket 15T	
16	Z72022006	Split Pin Ø2x20	
17	43-85464-1	Ring (Retaining) Ø6	
18	43-08538-2	Ring (Retaining) Ø5	
19	43-25022-2	Ring (Retaining) Ø4	
20	42-A0483	Ring (Retaining) Ø3	
21	43-Z0020	Cup	
22	43-Z0036	Ball	
23	23-A5315	Vat	
24	42-A6900	Tool Set	
25	43-Z0070	Tool Bag	
26	43-Z0071	Screwdriver	
27	43-Z0072	Screwdriver	
28	43-Z0073	Double-ender Wrench 13x10	
29	43-Z0074	Double-ender Wrench 8x7	
30	43-Z0075	Hexagon Wrench 2.0	
31	43-Z0076	Hexagon Wrench 3.0	
32	43-Z0077	Hexagon Wrench Driver 2.0	
33	ZWG210120J	Tool (Terminal) 210-120J	
34	42-E0336	Fuse Set	
35	ZLI216315	Fuse 2163.15 (3.15A 250V)	060 999 958A
36	ZLI218315	Fuse 2183.15 (3.15A 250V)	060 999 959A
37	ZLI218002	Fuse 218002 (2A 250V)	060 999 960A
38	43-E1628	Lock plate A	
39	43-E1634	Lock plate A	
40	ZSESCL10B	Cord lock (SCL-10B)	
41	ZSESCL14A	Cord lock (SCL-14A)	
42	ZSESCL14B	Cord lock (SCL-14B)	

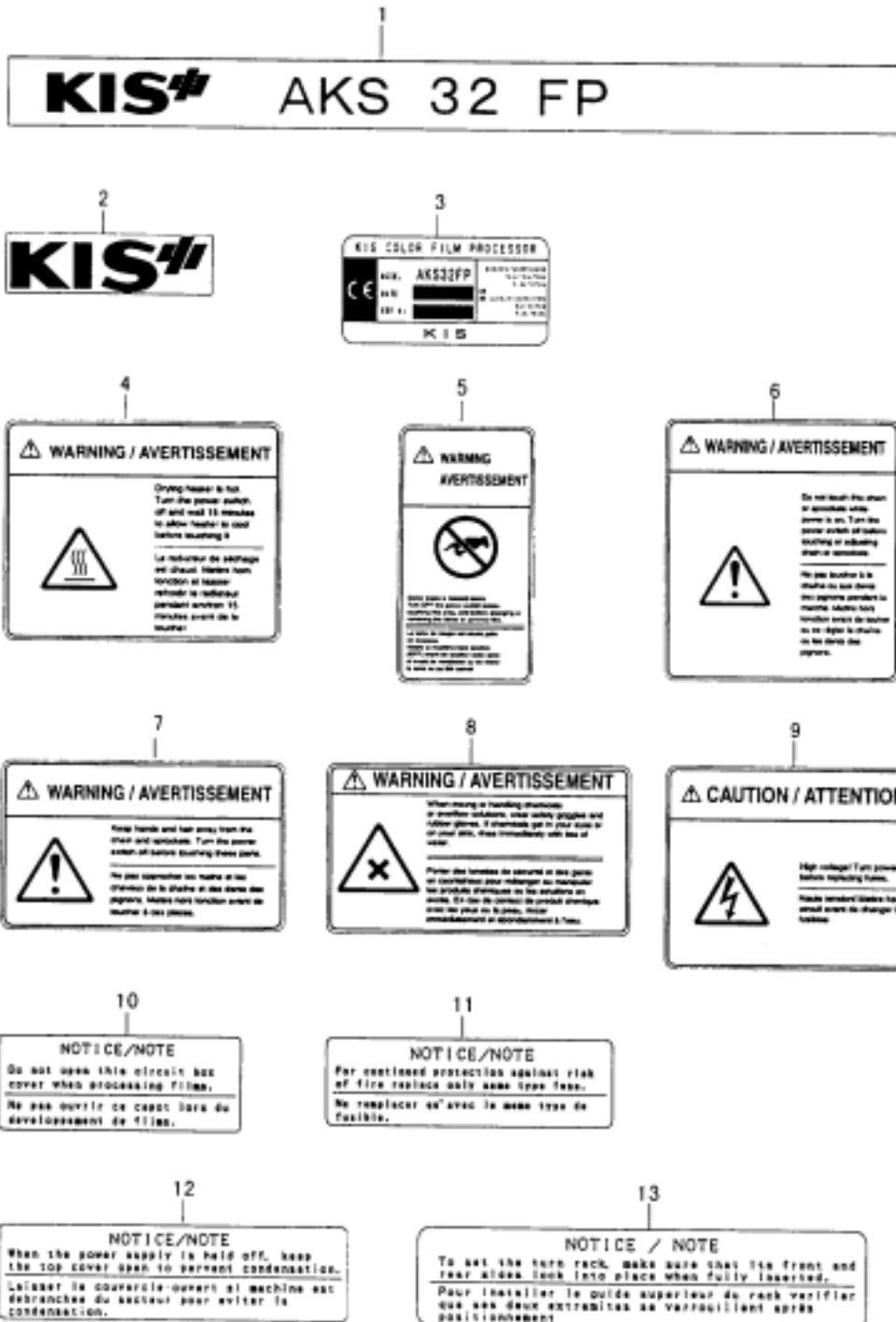
<p>1</p> <p><b>WARNING/WARNUNG</b></p> <p>Drying heater is hot. Turn the power switch off and wait 15 minutes to allow heater to cool before touching it.</p> <p>Das Trocknerheizergerät ist heiß. Vor dem Berühren die Stromversorgung ausschalten und das Heizergerät 15 Minuten lang abkühlen lassen.</p>	<p>1A</p> <p><b>WARNING / ADVERTENCIA</b></p> <p>Drying heater is hot. Turn the power switch off and wait 15 minutes to allow heater to cool before touching it.</p> <p>El calentador de secado está caliente. Desconecte el interruptor y espere 15 minutos antes de tocarlo.</p>	<p>1B</p> <p><b>WARNING / ATTENZIONE</b></p> <p>Drying heater is hot. Turn the power switch off and wait 15 minutes to allow heater to cool before touching it.</p> <p>La resistenza d'asciugatura è molto calda. Togliere la corrente e attendere 15 minuti prima di toccarla.</p>
<p>2</p> <p><b>WARNING WARNUNG</b></p> <p>Hot handle is heated when Turn OFF power cord when holding the hose or opening the compartment door.</p> <p>Handgriffe sind heiß, wenn die Stromversorgung ausgeschaltet ist. Schalten Sie die Stromversorgung aus, wenn Sie das Rohr halten oder die Kompartimenttür öffnen.</p>	<p>2A</p> <p><b>WARNING ADVERTENCIA</b></p> <p>Hot handle is heated when Turn OFF the power cord when holding the hose, and when opening or returning the state of compartment door.</p> <p>La parte del tubo que está en la parte superior. Desconecte el interruptor al sostener el tubo o al abrir o cerrar la puerta del compartimento.</p>	<p>2B</p> <p><b>WARNING ATTENZIONE</b></p> <p>Hot handle is heated when Turn OFF the power cord when holding the hose, and when opening or closing the door of compartment.</p> <p>La parte di tubo che è sulla parte superiore della porta di apertura è calda anche se l'interuttore è stato disattivato.</p>
<p>3</p> <p><b>WARNING/WARNUNG</b></p> <p>Do not touch the drain or siphons when power is on. Turn the power switch off before touching drain or siphons.</p> <p>Keine Handgriffe oder Siphons berühren, solange die Stromversorgung eingeschaltet ist. Schalten Sie die Stromversorgung aus, bevor Sie den Abfluss oder die Siphons berühren.</p>	<p>3A</p> <p><b>WARNING / ADVERTENCIA</b></p> <p>Do not touch the drain or siphons when power is on. Turn the power switch off before touching drain or siphons.</p> <p>No toque la tubería o los sifones cuando el interruptor está encendido. Desconecte el interruptor antes de tocar el tubo o la tubería inferior.</p>	<p>3B</p> <p><b>WARNING / ATTENZIONE</b></p> <p>Do not touch the drain or siphons when power is on. Turn the power switch off before touching drain or siphons.</p> <p>Non toccare la tuberia o i sifoni quando la corrente è accesa. Spegnerla l'interruttore prima di toccare il tubo o i sifoni.</p>
<p>4</p> <p><b>WARNING / WARNUNG</b></p> <p>Keep hands and hair away from the drain and siphons. Turn the power switch off before touching these parts.</p> <p>Hande und Haare von Rohr und Siphons fernhalten, vor Berührung ausschalten. Halte die Hände fern von diesen Teilen.</p>	<p>4A</p> <p><b>WARNING / ADVERTENCIA</b></p> <p>Keep hands and hair away from the drain and siphons. Turn the power switch off before touching these parts.</p> <p>No acercar las manos o el cabello a la tubería o a sifones. Desconecte el interruptor antes de tocarlos.</p>	<p>4B</p> <p><b>WARNING / ATTENZIONE</b></p> <p>Keep hands and hair away from the drain and siphons. Turn the power switch off before touching these parts.</p> <p>Tenere le mani e i capelli lontani dalla tuberia e dalla parte sifoni. Togliere la corrente prima di toccare queste parti.</p>
<p>5</p> <p><b>WARNING / WARNUNG</b></p> <p>When using or handling accessories in another cabinet, make sure power and water pipes. If necessary, get a professional or your own home electrician, with the help of water.</p> <p>Bei der Handhabung von Zubehör in anderen Schränken, machen Sie sich die Strom- und Wasserleitungen bewusst. Wenn Sie Hilfe benötigen, wenden Sie sich an einen Fachmann oder Ihren Hausinstallateur.</p>	<p>5A</p> <p><b>WARNING / ADVERTENCIA</b></p> <p>When using or handling accessories in another cabinet, make sure power and water pipes. If necessary, get a professional or your own home electrician, with the help of water.</p> <p>Cuando use o maneje accesorios en otro gabinete, asegurese de verificar los cables y tuberías de agua. Si necesita ayuda, llame a un profesional o a un electricista de su hogar con la ayuda de agua.</p>	<p>5B</p> <p><b>WARNING / ATTENZIONE</b></p> <p>When using or handling accessories in another cabinet, make sure power and water pipes. If necessary, get a professional or your own home electrician, with the help of water.</p> <p>Utilizzare sempre parti di accessori in un altro cabinet, si deve verificare il cavo elettrico e l'acqua. Se è necessario, chiamare un professionista o un elettricista di casa con l'aiuto dell'acqua.</p>
<p>6</p> <p><b>CAUTION/VORSICHT</b></p> <p>High voltage! Turn power off before replacing fuses.</p> <p>Hochspannung! Vor dem Ersetzen der Sicherungen die Stromversorgung abschalten.</p>	<p>6A</p> <p><b>CAUTION / PRECAUCION</b></p> <p>High voltage! Turn power off before replacing fuses.</p> <p>Alta tensión! Desconecte el interruptor antes de reemplazar los fusibles.</p>	<p>6B</p> <p><b>CAUTION / CAUTELA</b></p> <p>High voltage! Turn power off before replacing fuses.</p> <p>Alta tensione! Togliere la corrente prima di sostituire i fusibili.</p>

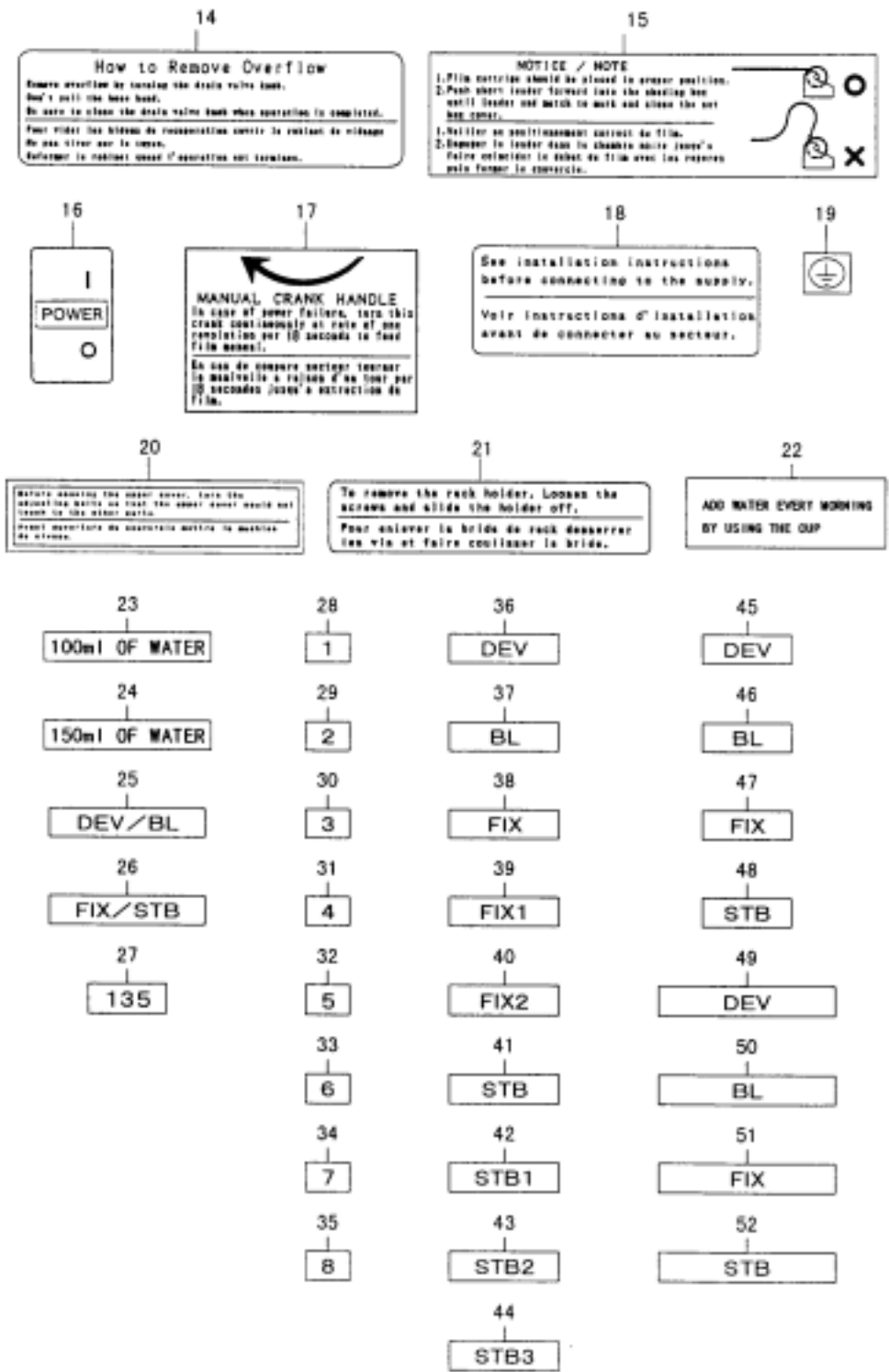
## 480 Accessories (Label Set)

060 999

No.	Parts No.	Description	KIS Reference
1	L43-A6324	Warning Label 1 (English/German)	060 999 975A
1A	L43-A6261-1	Warning Label 1 (English/Spanish)	060 999 977A
1B	L43-A3191	Warning Label 1 (English/Italian)	060 999 978A
2	L43-A6325-1	Warning Label 2 (English/German)	060 999 979A
2A	L43-A3186-1	Warning Label 2 (English/Spanish)	060 999 981A
2B	L43-A3187-1	Warning Label 2 (English/Italian)	060 999 982A
3	L43-A6326	Warning Label 3 (English/German)	060 999 983A
3A	L43-A6263	Warning Label 3 (English/Spanish)	060 999 985A
3B	L43-A3192	Warning Label 3 (English/Italian)	060 999 986A
4	L43-6327	Warning Label 4 (English/German)	060 999 987A
4A	L43-A6265	Warning Label 4 (English/Spanish)	060 999 989A
4B	L43-A3193	Warning Label 4 (English/Italian)	060 999 990A
5	L43-A7581	Chemical Warning Label (English/German)	060 999 995A
5A	L43-A7583	Chemical Warning Label (English/Spanish)	060 999 997A
5B	L43-A7584	Chemical Warning Label (English/Spanish)	060 999 998A
6	L43-A6329	Caution Label 2 (English/German)	060 999 991A
6A	L43-A6269	Caution Label 2 (English/Spanish)	060 999 993A
6B	L43-A3195	Caution Label 2 (English/Italian)	060 999 994A







## 490 Label

060 999 056A

No.	Parts No.	Description	KIS Reference
1	L33-C0359	Machine Label	
2	L43-C0340	Logo-Mark	
3	L43-C0360	Name Plate	
4	L43-A6260	Warning Label 1	
5	L43-A3185-1	Warning Label 2	
6	L43-A6262	Warning Label 3	
7	L43-A6264	Warning Label 4	
8	L43-A7582	Chemical Warning Label	
9	L43-A6268	Caution Label	
10	L43-C0350	Notice Label	
11	L43-C0351	Notice Label	
12	L43-C0352	Notice Label	
13	L43-C0353	Notice Label	
14	L43-C0354	Attention Label	
15	L43-C0355	Notice Label (SB)	
16	L43-E0221	Power ON/OFF Label	060 999 972A
17	L43-C0349	Attention Label	
18	L43-C0356	Attention Label	
19	L43-E0970	Ground Mark Label	060 999 974A
20	L43-C0358	Attention Label	
21	L43-C0357	Attention Label	
22	L43-A0591	Attention Label	060 999 999A
23	L43-A0592	Label (Water 100ml)	060 999 061A
24	L43-A7614	Label (Water 150ml)	060 999 062A
25	L43-A7634	Label (DEV/BL)	060 999 067A
26	L43-A7635	Label (FIX/STB)	060 999 068A
27	L43-65597	Position Mark Label	060 999 090A
28	L43-A5299	Label (1)	060 999 069A
29	L43-A5300	Label (2)	060 999 070A
30	L43-A5301	Label (3)	060 999 071A
31	L43-A5302	Label (4)	060 999 072A
32	L43-A5303	Label (5)	060 999 073A
33	L43-A5304	Label (6)	060 999 074A
34	L43-A5305	Label (7)	060 999 075A
35	L43-A5306	Label (8)	060 999 076A
36	L43-A7636	Label (DEV)	060 999 077A
37	L43-A7639	Label (BL)	060 999 078A
38	L43-A7644	Label (FIX)	060 999 079A
39	L43-A7642	Label (FIX 1)	060 999 080A
40	L43-A7643	Label (FIX 2)	060 999 081A

No.	Parts No.	Description	Kis Reference
41	L43-A7650	Label (STB)	060 999 082A
42	L43-A7647	Label (STB 1)	060 999 083A
43	L43-A7648	Label (STB 2)	060 999 084A
44	L43-A7649	Label (STB 3)	060 999 085A
45	L43-A7637	Label (DEV)	060 999 086A
46	L43-A7640	Label (BL)	060 999 087A
47	L43-A7645	Label (FIX)	060 999 088A
48	L43-A7651	Label (STB)	060 999 089A
49	L43-A7638	Label (DEV)	060 999 063A
50	L43-A7641	Label (BL)	060 999 064A
51	L43-A7646	Label (FIX)	060 999 065A
52	L43-A7652	Label (STB)	060 999 066A

**Non contractual document.**

**The manufacturer reserves the right to modify his machines and this document without notice.**

*Document non contractuel. Le constructeur se réserve le droit de modifier ses machines et le présent document sans préavis.*

